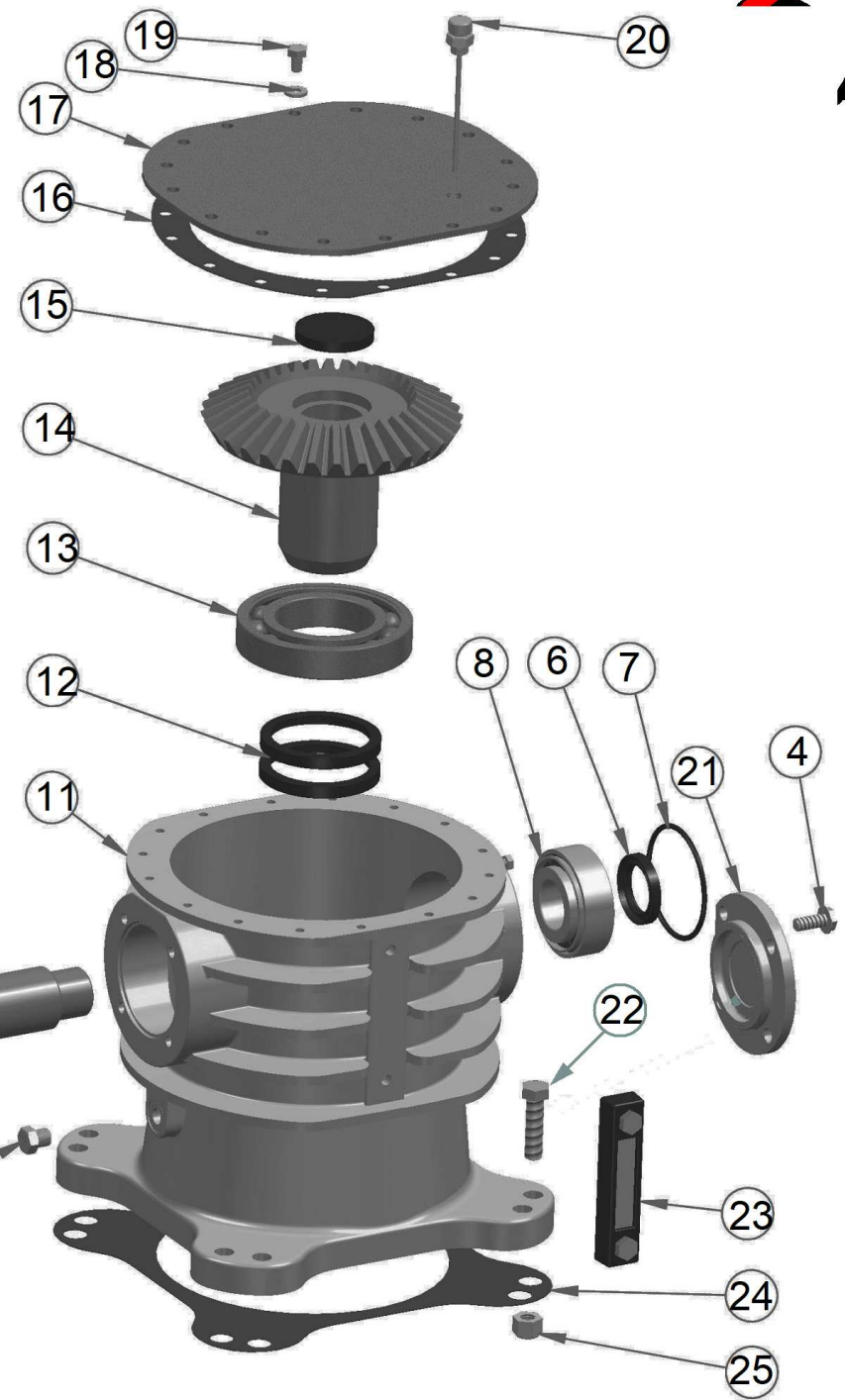
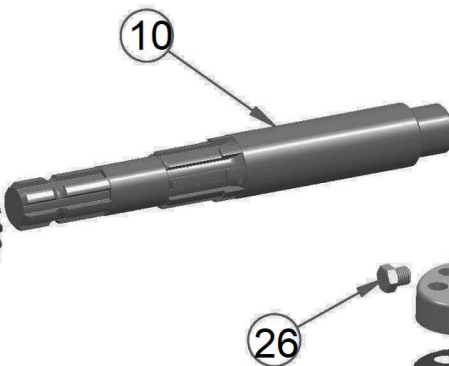
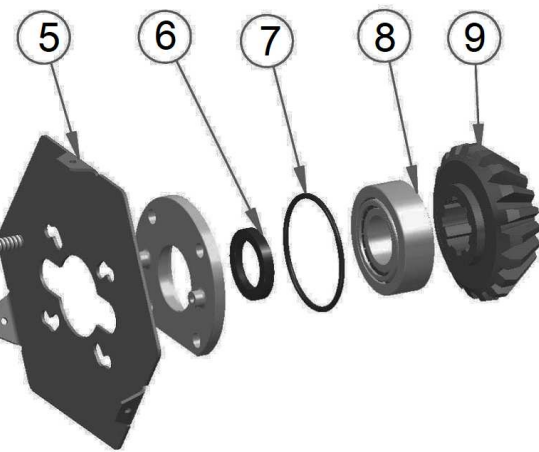
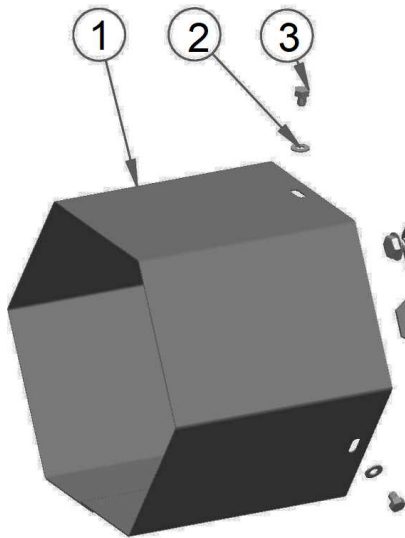
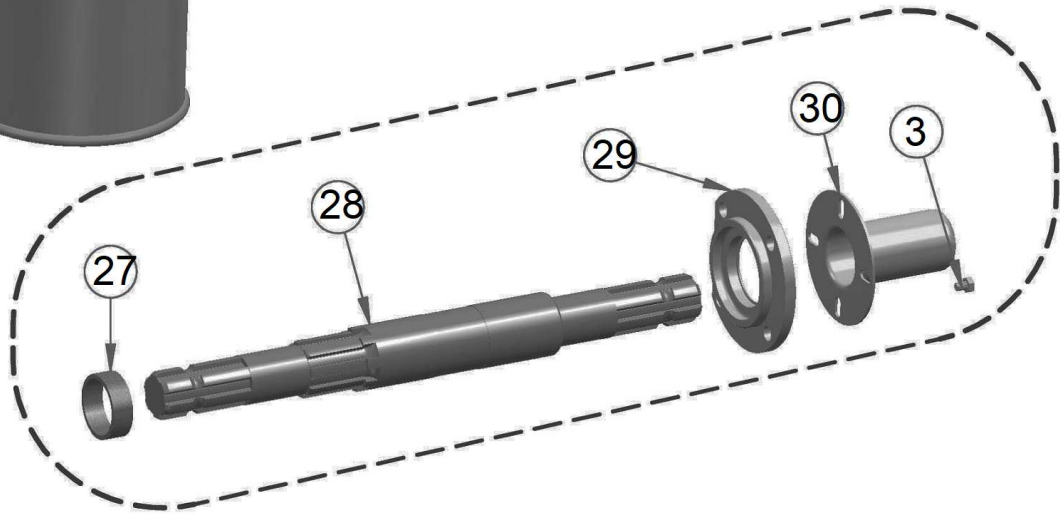




A



Machine type: POWER HARROW

Model: EC

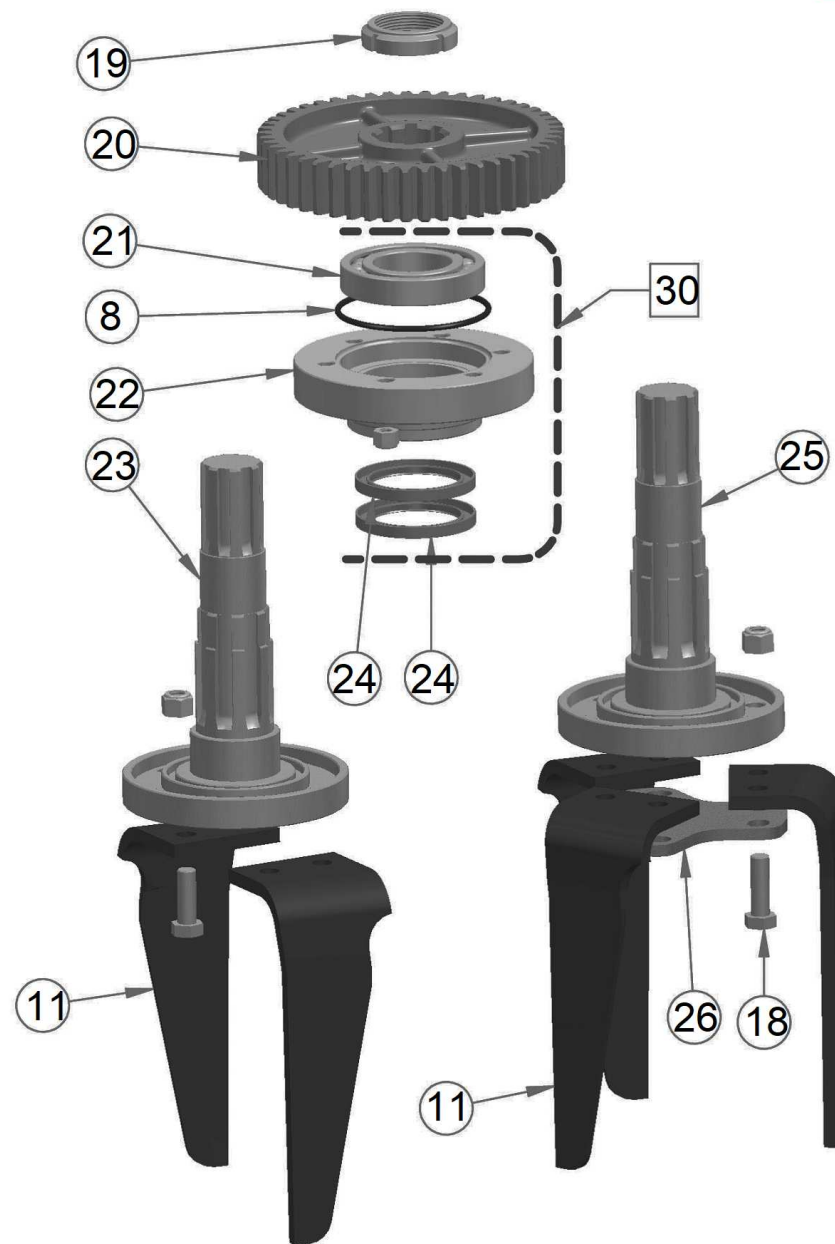
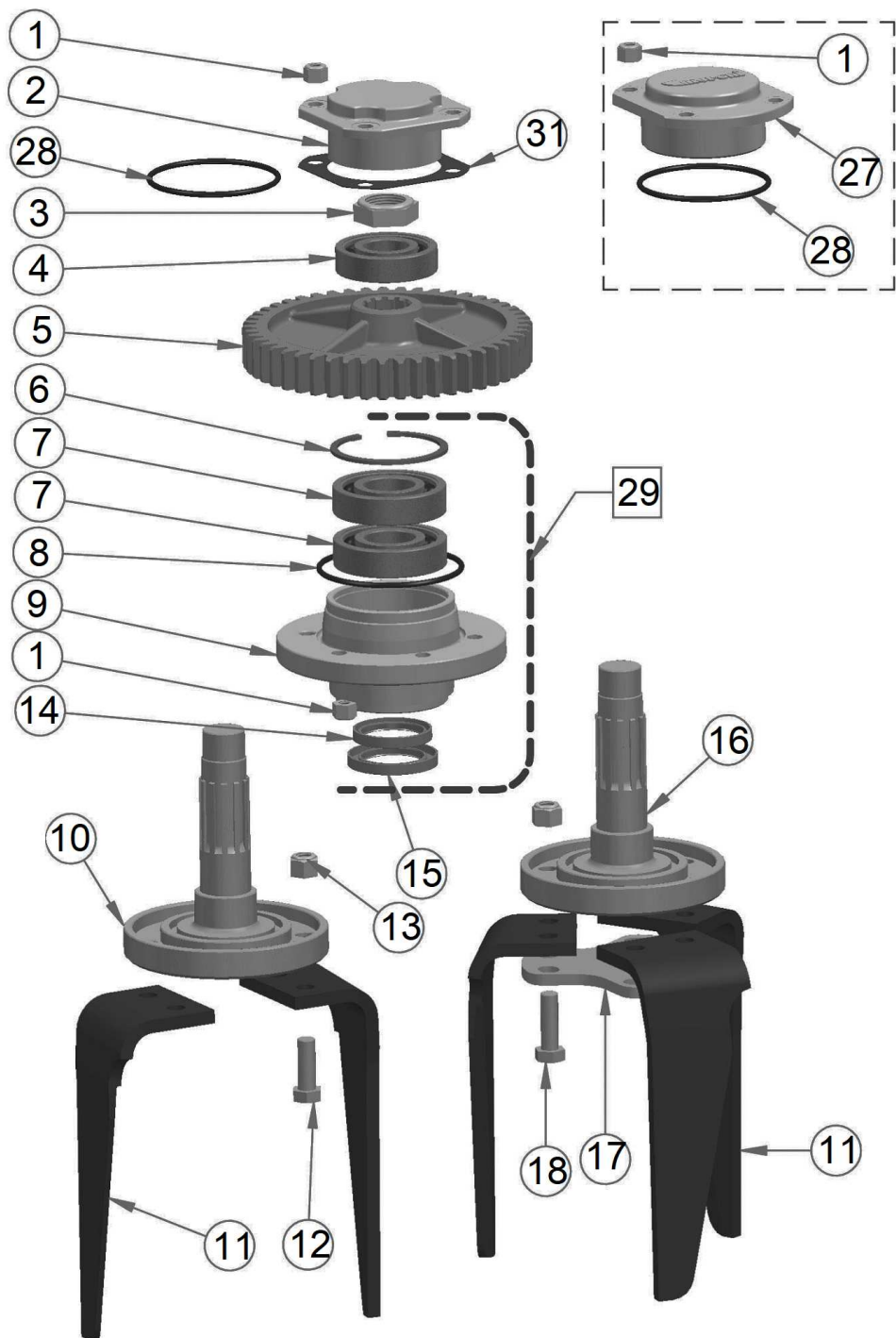
Group: GEARBOX

Document ID: 902688001

Revision: 01_01/01/2020 ->

Table: 01

Reference	P/N	Description	Model #	Quantity
1	5000132	SAFETY CARTER		1
2	0050030	WASHER 8.4x17x1.6		3
3	00150001	ZINC-COATED SCREW TE M8 X 10		5
4	0030025	FLANGE ZINC-COATED SCREW TE M12 X		8
5	5000133	SAFETY CARTER TRIANGLE		1
6	0050038	SEAL 65x45x10		2
7	0080001	UPPER O-RING GASKET 098X3.53		2
8	0050005	CONIC BEARING 32309 45X100X38.25		2
9	5000004	CONIC PINION M 6,54 - Z 18 750 r.p.m.		1
9	5000005	CONIC PINION M 7,25 - Z 19 540 r.p.m.		1
10	5000054	CROSS SHAFT 540 r.p.m.		1
10	5000265	CROSS SHAFT 750 r.p.m.		1
11	5000055	CAST IRON ONE SPEED BOX		1
12	0050004	SEAL 110x90x12		2
13	0050039	BEARING 6218 090X160X30		1
14	5000002	CONIC GEAR WHEEL M 725 - Z 32 540 r.p.m.		1
14	5000003	CONIC GEAR WHEEL M 6.54 - Z 39 750 r.p.m		1
15	0050003	CUP D=72		1
16	0050032	COVER PAPER GASKET		1
17	5000050	COVER		1
18	0050105	WASHER 10x30x3		16
19	0010120	SCREW TE M10x30		16
20	50002	FITTING VENT WITH OIL LEVEL		1
21	5000051	CLOSED RING		1
22	00150091	SCREW TE M16x65		4
23	0050001	OIL LEVEL + THERMOMETER		1
24	0050041	BASE PAPER GASKET		1
25	0050035	LOCKING NUT M16		4
26	0050040	EUP 3/8" M		2
27	5000001	PINION SPACER 750 r.p.m.		1
28	5000215	CROSS SHAFT 540 r.p.m. - PTO 1" 3/4		1
29	5000052	OPEN RING		2
30	5000186	PLASTIC COVER FOR SHAFT		1
31	4000148	OIL AGIP BLASIA 460		1



Machine type: POWER HARROW

Model: EC

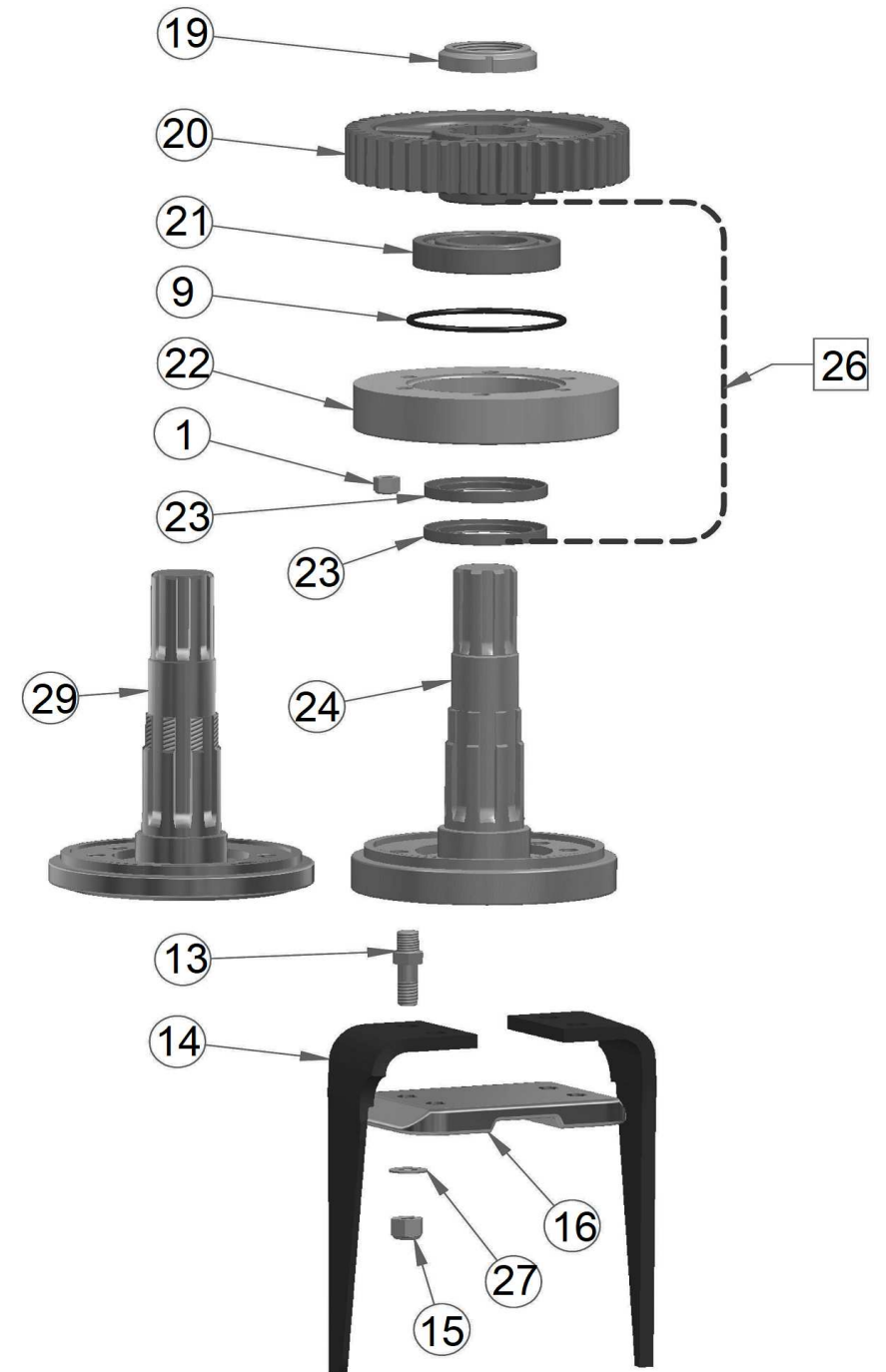
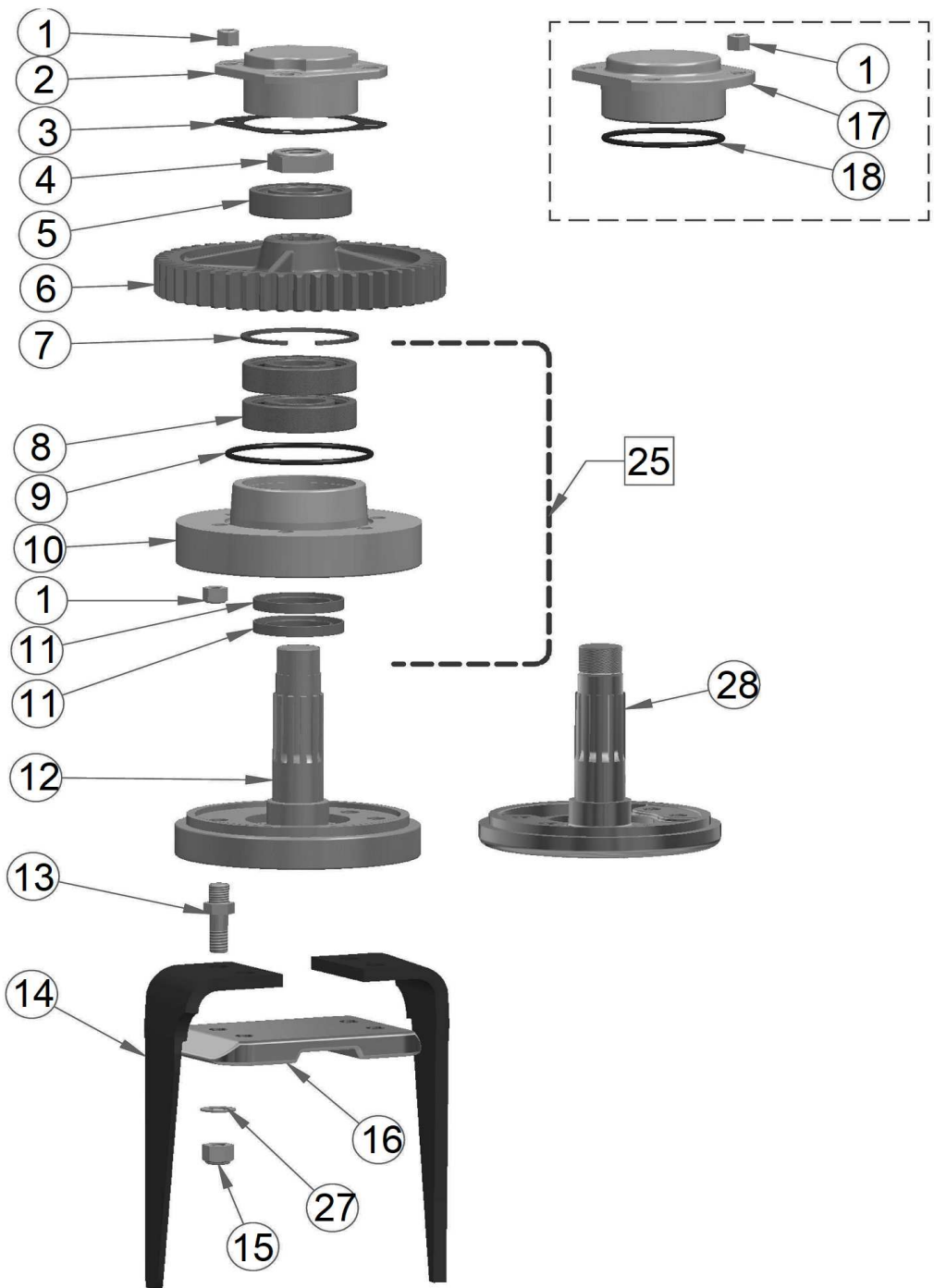
Group: TOOLS AND RELATIVE SUPPORTS

Document ID: 902688001

Revision: 01_01/01/2020 ->

Table: 02

Reference	P/N	Description	Model #	Quantity
1	0030026	LOCKING NUT M12		1
2	8000107	UPPER SIDE HOLDER		1
3	0010010	LOCKING NUT M38		1
4	0080067	BEARING 6308 90x40x23		1
5	8000108	SIDE GEAR WHEEL Z44		1
5	8000109	SIDE GEAR WHEEL Z49		1
6	0080068	SEEGER \$ 100		1
7	0080069	BEARING 6309 45x100x25		1
8	0080002	LOWER O-RING GASKET 0117.5X5.34		1
9	8000110	LOWER SIDE HOLDER		1
10	8000112	SIDE SHAFT - M.A.		1
11	8000006	LONGER BLADE H=330 RIGHT THK 12mm		1
11	8000007	LONGER BLADE H=330 LEFT THK 12mm		1
11	8000008	LONGER BLADE H=330 RIGHT THK 15mm		1
11	8000009	LONGER BLADE H=330 LEFT THK 15mm		1
11	8000106	MORENI BLADE RIGHT		1
11	8000800	TUNGSTEN TREATMENT BLADE RIGHT		1
11	8000801	TUNESTEN TREATMENT BLADE LEFT		1
11	8000802	FINS BLADE RIGHT		1
11	8000803	FINS BLADE LEFT		1
11	8000804	MORENI BLADE LEFT		1
12	0050036	SCREW TE M16 x 45		1
13	0050035	LOCKING NUT M16		1
14	0080070	SEAL 70x55x10		1
15	0050031	SEAL 80X55X10		1
16	8000002	SIDE 3 BLADE SHAFT		1
17	8000320	SIDE 3 BLADES REINFORCEMENT - MA.		1
18	0080126	SCREW TE M16 x 55		1
19	0080062	RING M60 X 2		1
20	8000103	CENTRAL GEAR WHEEL Z44		1
20	8000104	CENTRAL GEAR WHEEL Z49		1
21	0080063	BEARING 6213 65x120x23		1
22	8000105	CENTRAL HOLDER - MA.		1
23	8000001	CENTRAL SHAFT - MA.		1
23	8000022	CENTRAL SHAFT - M.A. STEEL MODEL		1
24	0080065	SEAL 100x75x10		1
25	8000003	3 BLADES CENTRAL SHAFT - MA.		1
25	8000023	3 BLADES CENTRAL SHAFT - MA. STEEL MODEL		1
26	8000754	CENTRAL 3 BLADES REINFORCEMENT - MA.		1
27	8000004	UPPER HOLDER FOR FOLDIN5 HARROWS		1
28	0080001	UPPER O-RING GASKET 098X3.53		1
29	0800063	LOWER SIDE HOLDER - M.A.		1
30	0800064	LOWER CENTRAL HOLDER - M.A.		1
31	0080066	PAPER GASKET 125x125x1		1



Machine type: POWER HARROW

Model: EC

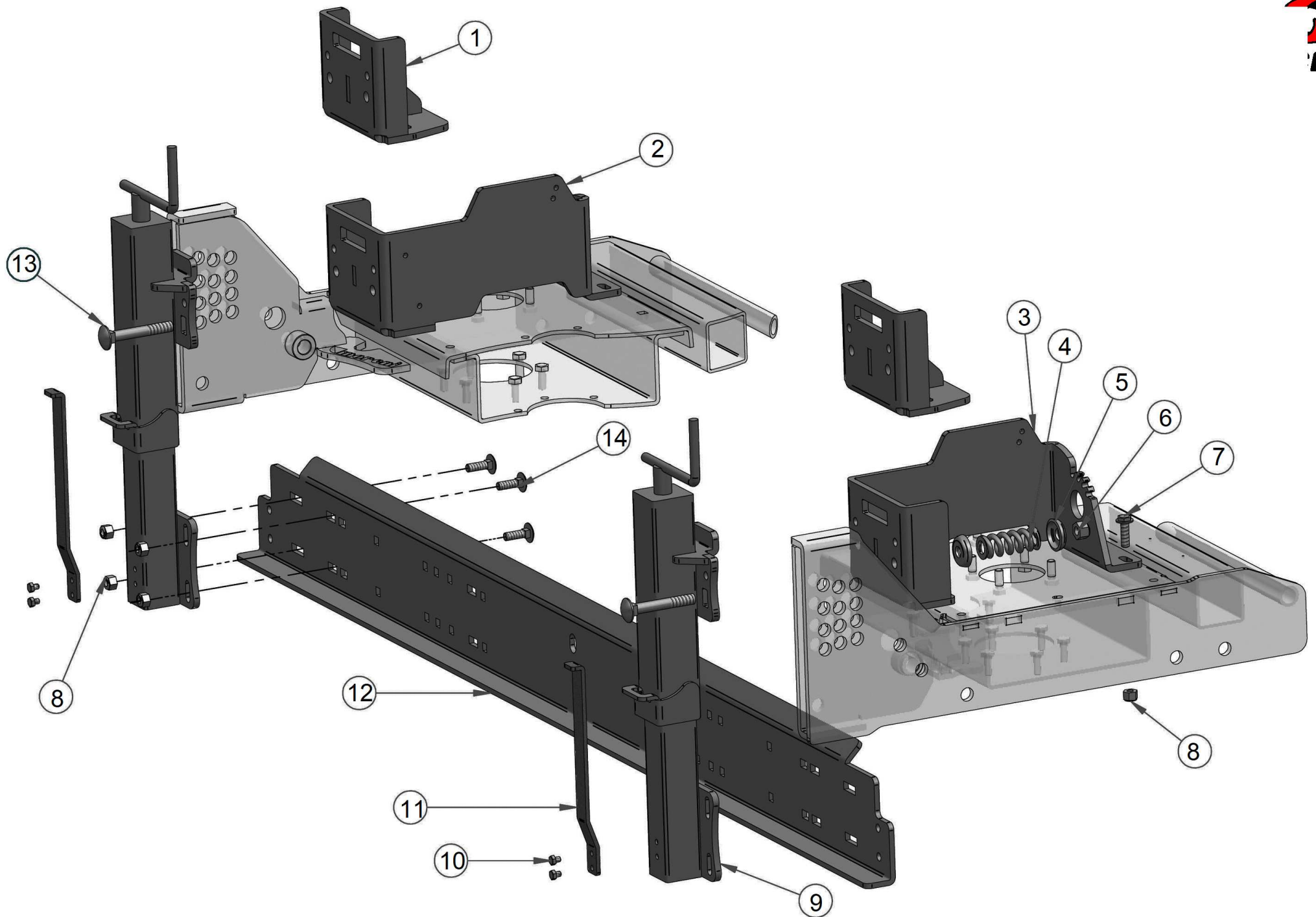
Group: TOOLS AND RELATIVE SUPPORTS

Document ID: 902688001

Revision: 01_01/01/2020 ->

Table: 03

Reference	P/N	Description	Model #	Quantity
1	0030026	LOCKING NUT M12		1
2	8000107	UPPER SIDE HOLDER		1
3	0080066	PAPER GASKET 125x125x1		1
4	0010010	LOCKING NUT M38		1
5	0080067	BEARING 6308 90x40x23		1
6	8000108	SIDE GEAR WHEEL Z44		1
6	8000109	SIDE GEAR WHEEL Z49		1
7	0080068	SEEGER \$ 100		1
8	0080069	BEARING 6309 45x100x25		1
9	0080002	LOWER O-RING GASKET 0117.5X5.34		1
10	9000004	Down side support		1
11	0050031	SEAL 80X55X10		1
12	9000002	Side shaft		1
13	9000007	Screw		1
13	9000008	Screw		1
14	8000006	LONGER BLADE H=330 RIGHT THK 12mm		1
14	8000007	LONGER BLADE H=330 LEFT THK 12mm		1
14	8000008	LONGER BLADE H=330 RIGHT THK 15mm		1
14	8000009	LONGER BLADE H=330 LEFT THK 15mm		1
14	8000106	MORENI BLADE RIGHT		1
14	8000800	TUNGSTEN TREATMENT BLADE RIGHT		1
14	8000801	TUNESTEN TREATMENT BLADE LEFT		1
14	8000802	FINS BLADE RIGHT		1
14	8000803	FINS BLADE LEFT		1
14	8000804	MORENI BLADE LEFT		1
15	0050035	LOCKING NUT M16		1
16	9000120	Nut guard		1
17	8000004	UPPER HOLDER FOR FOLDIN5 HARROWS		1
18	0080001	UPPER O-RING GASKET 098X3.53		1
19	0080062	RING M60 X 2		1
20	8000103	CENTRAL GEAR WHEEL Z44		1
20	8000109	SIDE GEAR WHEEL Z49		1
21	0080063	BEARING 6213 65x120x23		1
22	9000003	Support		1
23	0080065	SEAL 100x75x10		1
24	9000001	Central shaft		1
25	0900087	Down support		1
26	0900086	Down support		1
27	0040042	Spring		1
28	9000009	Side shaft		1
29	9000010	Central shaft		1



Machine type: POWER HARROW

Model: EC

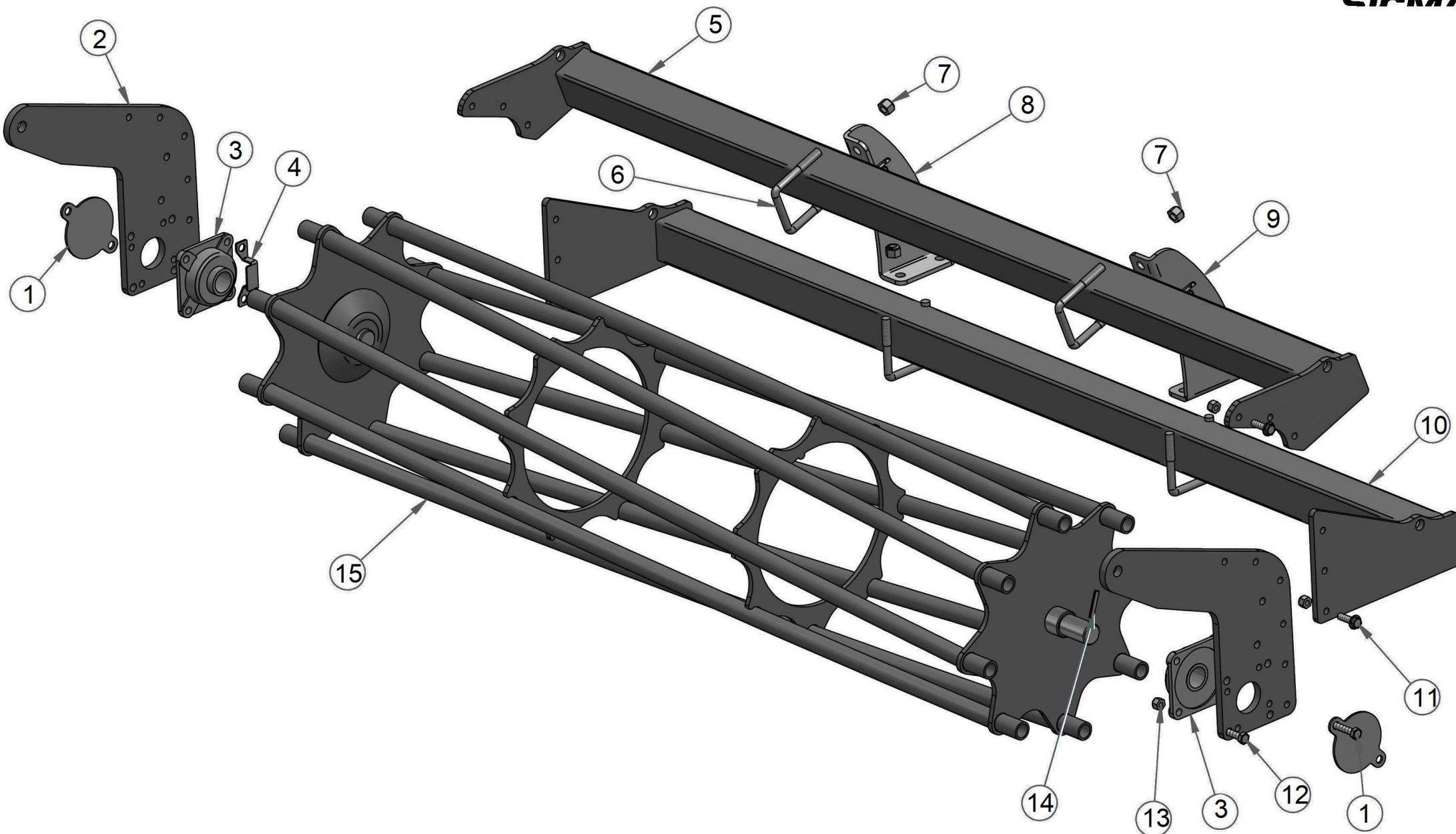
Group: LEVELLING BAR

Document ID: 902688001

Revision: 01_01/01/2020 ->

Table: 05

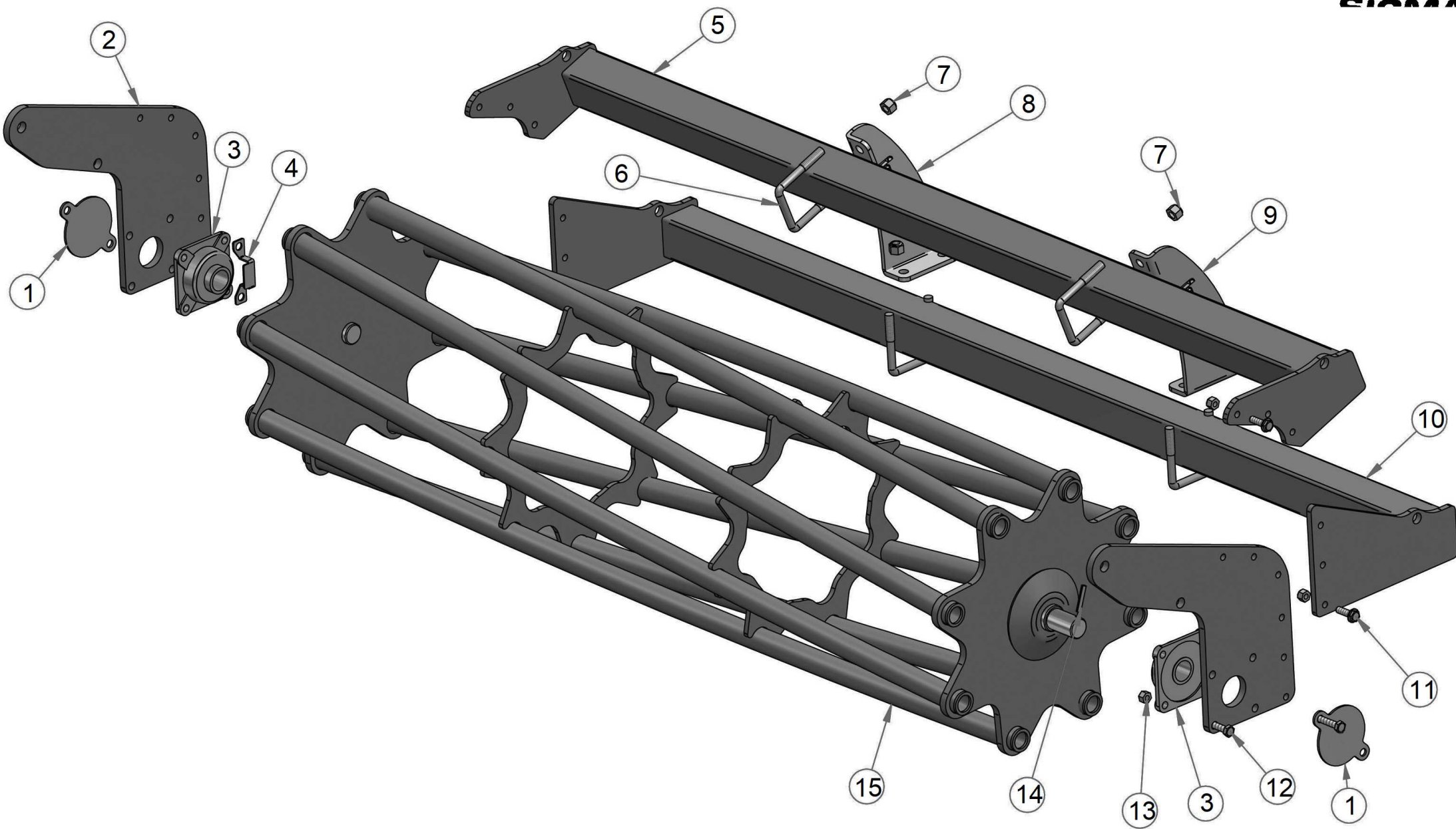
Reference	P/N	Description	Model #	Quantity
1	04300002	VITIS BAR HANDLE'S CONNECTION		2
2	04300003	LEFT HANDLE'S CONNECTION MOVABLE COMPACT		1
3	04300004	RIGHT HANDLE'S CONNECTION MOVABLE COMPACT		1
4	6000654	Sire deflector's spring		4
5	6000653	Rounder washer		8
6	0050035	LOCKING NUT M16		4
7	0010040	SCREW TE M12 X 40		0
8	0030026	LOCKING NUT M12		0
9	04300007	FIXED HARROWS BAR'S HANDLE		2
10	00150001	ZINC-COATED SCREW TE M8 X 10		4
11	43000017	LOWER BAR LOCK'S BRACKET		2
12	43000623	BENDED BLADE	MOD. 1250 FISSO	1
12	43000625	BENDED BLADE	MOD. 1500 FISSO - 3000 PIEG	1
12	43000627	BENDED BLADE	MOD. 1750 FISSO - 3500 PIEG	1
12	43000629	BENDED BLADE	MOD. 2000 FISSO - 4000 PIEG	1
12	43000731	BENDED BLADE	MOD. 2250 FISSO - 4500 PIEG	1
12	43000733	BENDED BLADE	MOD. 2500 FISSO - 5000 PIEG	1
12	43000735	BENDED BLADE	MOD. 2750 FISSO - 5500 PIEG	1
12	43000737	BENDED BLADE	MOD. 3000 FISSO - 6000 PIEG	1
12	43000738	BENDED BLADE	MOD. 3250 FISSO - 6500 PIEG	1
12	43000739	BENDED BLADE	MOD. 3500 FISSO	1
12	43000740	BENDED BLADE	MOD. 4000 FISSO - 8000 PIEG	1
12	43000742	BENDED BLADE	MOD. 7000 PIEGHEVOLE	1
12	43000757	BENDED BLADE	MOD. 3750 FISSO	1
12	43000758	BENDED BLADE	MOD. 4500 FISSO	1
12	43000759	BENDED BLADE	MOD. 5000 FISSO	1
13	00430002	SCREW TTSO M16 X 150		2
14	00300004	SCREW TE M12x40		4



Machine type: POWER HARROW
 Model: EC
 Group: CAGE ROLLER Ø467

Document ID: 902688001
 Revision: 01_01/01/2020 ->
 Table: 06

Reference	P/N	Description	Model #	Quantity
1	33000487	UCF COVER D40		2
2	30000014	LATERAL ROLLER HOLDER D40		2
2	30000019	LATERAL ROLLER HOLDER D40 SP. 20 mm		2
3	00300192	UCF 208 HOLDER		2
4	30000008	GREASER PROTECTION		2
5	03000030	HYDRAULIC ADJUSTABLE ROLLER CHASSIS	IDR. 1500 FISSO - 3000 PIEGH	1
5	03000031	HYDRAULIC ADJUSTABLE ROLLER CHASSIS	IDR. 1750 FISSO - 3500 PIEGH	1
5	03000032	HYDRAULIC ADJUSTABLE ROLLER CHASSIS	IDR. 2000 FISSO - 4000 PIEGH	1
5	03000033	HYDRAULIC ADJUSTABLE ROLLER CHASSIS	IDR. 2250 FISSO - 4500 PIEGH	1
5	03000034	HYDRAULIC ADJUSTABLE ROLLER CHASSIS	IDR. 2500 FISSO - 5000 PIEGH	1
5	03000035	HYDRAULIC ADJUSTABLE ROLLER CHASSIS	IDR. 2750 FISSO -5500 PIEGH	1
5	03000036	HYDRAULIC ADJUSTABLE ROLLER CHASSIS	IDR. 3000 FISSO - 6000 PIEGH	12
5	03000037	HYDRAULIC ADJUSTABLE ROLLER CHASSIS	IDR. 3500 FISSO	1
5	03000038	HYDRAULIC ADJUSTABLE ROLLER CHASSIS	IDR. 4000 FISSO	1
5	03000039	HYDRAULIC ADJUSTABLE ROLLER CHASSIS	IDR. 7000 PIEGH	2
5	03000041		IDR. 1250 FISSO	1
5	03000045		IDR. 3250 FISSO	1
6	0010196	U-BOLT M16 80X80		4
7	00500143	BOLT/NUT M16 x 1,5		8
8	30000006	LEFT CHASSIS - ROLLER PLATE LINKAGE		2
9	30000005	RIGHT CHASSIS - ROLLER PLATE LINKAGE		2
10	03000020	CLEANER CHASSIS	IDR. 1500 FISSO - 3000 PIEGH	1
10	03000021		IDR. 1750 FISSO - 3500 PIEGH	1
10	03000022		IDR. 2000 FISSO - 4000 PIEGH	1
10	03000023		IDR. 2250 FISSO - 4500 PIEGH	1
10	03000024		IDR. 2500 FISSO - 5000 PIEGH	1
10	03000025		IDR. 2750 FISSO -5500 PIEGH	1
10	03000026		IDR. 3000 FISSO - 6000 PIEGH	1
10	03000027	CLEANER CHASSIS	IDR. 3500 FISSO	1
10	03000028	CLEANER CHASSIS	IDR. 4000 FISSO	1
10	03000029	CLEANER CHASSIS	IDR. 7000 PIEGH	1
10	03000040		IDR. 1250 FISSO	1
10	03000044		IDR. 3250 FISSO	1
11	0010040	SCREW TE M12 X 40		6
12	00300001	SCREW TE M12x55 GALVANIZED		8
13	0030026	LOCKING NUT M12		20
14	00470002	ELASTIC PLUG D8.5 L=50		2
15	03200005	CALE ROLLER	IDR. 1500 FISSO - 3000 PIEGH	1
15	03200006	CALE ROLLER	IDR. 1750 FISSO - 3500 PIEGH	1
15	03200007	CALE ROLLER	IDR. 2000 FISSO - 4000 PIEGH	1
15	03200008	CALE ROLLER	IDR. 2250 FISSO - 4500 PIEGH	1
15	03200009	CALE ROLLER	IDR. 2500 FISSO - 5000 PIEGH	1
15	03200010	CALE ROLLER	IDR. 2750 FISSO -5500 PIEGH	1
15	03200011	CALE ROLLER	IDR. 3000 FISSO - 6000 PIEGH	1
15	03200012	CALE ROLLER	IDR. 3500 FISSO	1
15	03200013	CALE ROLLER	IDR. 4000 FISSO	1
15	03200014	CALE ROLLER	IDR. 7000 PIEGH	1
15	03200015	CALE ROLLER	IDR. 1250 FISSO	1
15	03200016	CALE ROLLER	IDR. 3250 FISSO	1



Machine type: POWER HARROW
 Model: EC
 Group: CAGE ROLLER Ø500

Document ID: 902688001
 Revision: 01_01/01/2020 ->
 Table: 07

Reference	P/N	Description	Model #	Quantity
1	33000487	UCF COVER D40		2
2	30000017	LATERAL ROLLER HOLDER SP 20 mm		2
2	30000021	LATERAL ROLLER HOLDER SP.15 mm		2
3	00300192	UCF 208 HOLDER		2
4	30000008	GREASER PROTECTION		2
5	03000030	HYDRAULIC ADJUSTABLE ROLLER CHASSIS	IDR. 1500 FISSO - 3000 PIEGH	1
5	03000031	HYDRAULIC ADJUSTABLE ROLLER CHASSIS	IDR. 1750 FISSO - 3500 PIEGH	1
5	03000032	HYDRAULIC ADJUSTABLE ROLLER CHASSIS	IDR. 2000 FISSO - 4000 PIEGH	1
5	03000033	HYDRAULIC ADJUSTABLE ROLLER CHASSIS	IDR. 2250 FISSO - 4500 PIEGH	1
5	03000034	HYDRAULIC ADJUSTABLE ROLLER CHASSIS	IDR. 2500 FISSO - 5000 PIEGH	1
5	03000035	HYDRAULIC ADJUSTABLE ROLLER CHASSIS	IDR. 2750 FISSO -5500 PIEGH	1
5	03000036	HYDRAULIC ADJUSTABLE ROLLER CHASSIS	IDR. 3000 FISSO - 6000 PIEGH	1
5	03000037	HYDRAULIC ADJUSTABLE ROLLER CHASSIS	IDR. 3500 FISSO	1
5	03000038	HYDRAULIC ADJUSTABLE ROLLER CHASSIS	IDR. 4000 FISSO	1
5	03000039	HYDRAULIC ADJUSTABLE ROLLER CHASSIS	IDR. 7000 PIEGH	1
6	0010196	U-BOLT M16 80X80		4
7	00500143	BOLT/NUT M16 x 1,5		8
8	30000006	LEFT CHASSIS - ROLLER PLATE LINKAGE		2
9	30000005	RIGHT CHASSIS - ROLLER PLATE LINKAGE		2
10	03000020	CLEANER CHASSIS	IDR. 1500 FISSO - 3000 PIEGH	1
10	03000021		IDR. 1750 FISSO - 3500 PIEGH	1
10	03000022		IDR. 2000 FISSO - 4000 PIEGH	1
10	03000023		IDR. 2250 FISSO - 4500 PIEGH	1
10	03000024		IDR. 2500 FISSO - 5000 PIEGH	1
10	03000025		IDR. 2750 FISSO -5500 PIEGH	1
10	03000026		IDR. 3000 FISSO - 6000 PIEGH	1
10	03000027	CLEANER CHASSIS	IDR. 3500 FISSO	1
10	03000028	CLEANER CHASSIS	IDR. 4000 FISSO	1
10	03000029	CLEANER CHASSIS	IDR. 7000 PIEGH	1
11	0010040	SCREW TE M12 X 40		6
12	00300001	SCREW TE M12x55 GALVANIZED		8
13	0030026	LOCKING NUT M12		20
14	00470002	ELASTIC PLUG D8.5 L=50		2
15	03200017		IDR. 1500 FISSO - 3000 PIEGH	1
15	03200018		IDR. 1750 FISSO - 3500 PIEGH	1
15	03200019		IDR. 2000 FISSO - 4000 PIEGH	1
15	03200020		IDR. 2250 FISSO - 4500 PIEGH	1
15	03200021		IDR. 2500 FISSO - 5000 PIEGH	1
15	03200022		IDR. 2750 FISSO -5500 PIEGH	1
15	03200023		IDR. 3000 FISSO - 6000 PIEGH	1
15	03200024		IDR. 3500 FISSO	1
15	03200025		IDR. 4000 FISSO	1
15	03200026		IDR. 7000 PIEGH	1

Machine type: POWER HARROW
 Model: EC
 Group: PACKER ROLLER Ø406

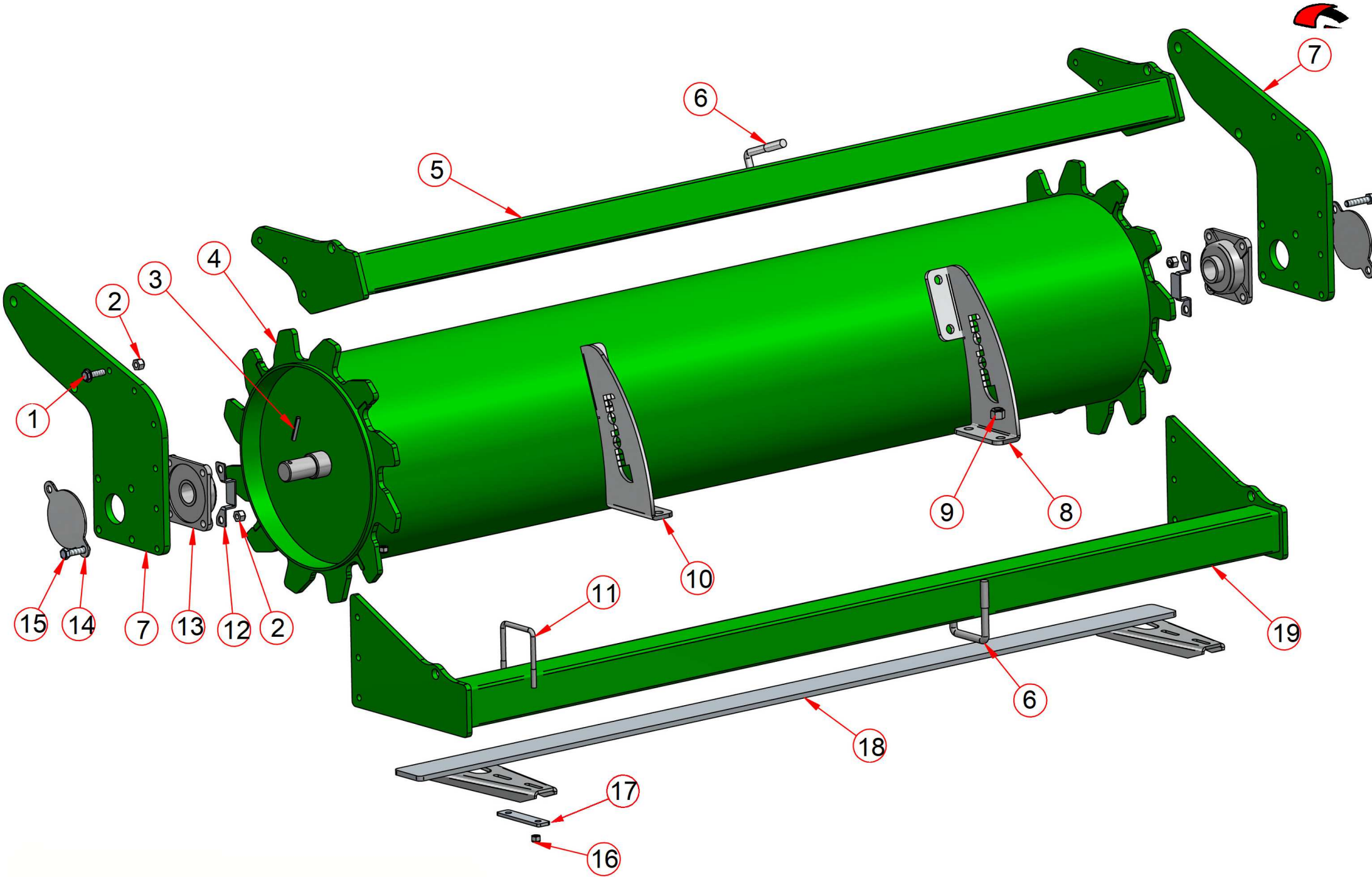
Document ID: 902688001
 Revision: 01_01/01/2020 ->
 Table: 08

Reference	P/N	Description	Model #	Quantity
1	0010040	SCREW TE M12 X 40		12
2	0030026	LOCKING NUT M12		20
3	00470002	ELASTIC PLUG D8.5 L=50		2
4	03300002	PACKER ROLLER	1500 FISSO - 3000 PIEGH	1
4	03300003	PACKER ROLLER	1750 FISSO - 3500 PIEGH	1
4	03300004	PACKER ROLLER	2250 SC - 4000 PIEGH	1
4	03300005	PACKER ROLLER	2250 FISSO - 4500 PIEGH	1
4	03300006	PACKER ROLLER	2500 FISSO - 5000 PIEGH	1
4	03300007	PACKER ROLLER	750 FISSO - 5500 PIEGH	1
4	03300008	PACKER ROLLER	3000 FISSO - 6000 PIEGH	1
4	03300009	PACKER ROLLER	3500 FISSO	1
4	03300010	PACKER ROLLER	4000 FISSO	1
4	03300011	PACKER ROLLER	7000 PIEGH	1
4	03300016	PACKER ROLLER	3250 FISSO	1
4	03300034	PACKER ROLLER	1250 FISSO	1
5	03000030	HYDRAULIC ADJUSTABLE ROLLER CHASSIS	1500 FISSO - 3000 PIEGH	1
5	03000031	HYDRAULIC ADJUSTABLE ROLLER CHASSIS	1750 FISSO - 3500 PIEGH	1
5	03000032	HYDRAULIC ADJUSTABLE ROLLER CHASSIS	2250 SC - 4000 PIEGH	1
5	03000033	HYDRAULIC ADJUSTABLE ROLLER CHASSIS	2250 FISSO - 4500 PIEGH	1
5	03000034	HYDRAULIC ADJUSTABLE ROLLER CHASSIS	2500 FISSO - 5000 PIEGH	1
5	03000035	HYDRAULIC ADJUSTABLE ROLLER CHASSIS	750 FISSO - 5500 PIEGH	1
5	03000036	HYDRAULIC ADJUSTABLE ROLLER CHASSIS	3000 FISSO - 6000 PIEGH	1
5	03000037	HYDRAULIC ADJUSTABLE ROLLER CHASSIS	3500 FISSO	1
5	03000038	HYDRAULIC ADJUSTABLE ROLLER CHASSIS	4000 FISSO	1
5	03000039	HYDRAULIC ADJUSTABLE ROLLER CHASSIS	7000 PIEGH	1
5	03000041		1250 FISSO	1
5	03000045		3250 FISSO	1
6	0010196	U-BOLT M16 80X80		4
7	30000014	LATERAL ROLLER HOLDER D40		2
7	30000019	LATERAL ROLLER HOLDER D40 SP. 20 mm		2
8	30000006	LEFT CHASSIS - ROLLER PLATE LINKAGE		1
9	00500143	BOLT/NUT M16 x 1,5		8
10	30000005	RIGHT CHASSIS - ROLLER PLATE LINKAGE		1
11	00330100	U-BOLT M10 80X80		0
12	30000008	GREASER PROTECTION		2
13	00300192	UCF 208 HOLDER		2
14	33000487	UCF COVER D40		2
15	00300001	SCREW TE M12x55 GALVANIZED		8
16	00130086	BOLT/NUT M10		0
17	30000010	ROLLER CLEANER HOLDER		0
18	33000465	LARGE ROLLER CLEANER 140		0
19	03300031	SELF-CENTERING PACKER ROLLER CLEANER		0
20	03000020	CLEANER CHASSIS	1500 FISSO - 3000 PIEGH	1
20	03000021		1750 FISSO - 3500 PIEGH	1
20	03000022		2250 SC - 4000 PIEGH	1
20	03000023		2250 FISSO - 4500 PIEGH	1
20	03000024		2500 FISSO - 5000 PIEGH	1
20	03000025		750 FISSO - 5500 PIEGH	1
20	03000026		3000 FISSO - 6000 PIEGH	1
20	03000027	CLEANER CHASSIS	3500 FISSO	1
20	03000028	CLEANER CHASSIS	4000 FISSO	1
20	03000029	CLEANER CHASSIS	7000 PIEGH	1
20	03000040		1250 FISSO	1
20	03000044		3250 FISSO	1

Machine type: POWER HARROW
 Model: EC
 Group: PACKER ROLLER Ø406

Document ID: 902688001
 Revision: 01_01/01/2020 ->
 Table: 09

Reference	P/N	Description	Model #	Quantity
1	0010040	SCREW TE M12 X 40		12
2	0030026	LOCKING NUT M12		20
3	00470002	ELASTIC PLUG D8.5 L=50		2
4	03300017	D406 PACKER ROLLER	2500 FISSO - 5000 PIEGH	1
4	03300018	D406 PACKER ROLLER	2750 FISSO - 5500 PIEGH	1
4	03300019	D406 PACKER ROLLER	3000 FISSO - 6000 PIEGH	1
4	03300020	D406 PACKER ROLLER	7000 PIEGH	1
4	03300021	D406 PACKER ROLLER	4000 FISSO - 8000 PIEGH	1
4	03300022	D406 PACKER ROLLER	2000 FISSO - 4000 PIEGH	1
4	03300032	D406 PACKER ROLLER	3500 FISSO	1
4	03300035	D406 PACKER ROLLER	2250 FISSO - 4500 PIEGH	1
4	03300039	D406 PACKER ROLLER	1500 FISSO - 3000 PIEGH	1
4	03300041	D406 PACKER ROLLER	1750 FISSO - 3500 PIEGH	1
5	03000030	HYDRAULIC ADJUSTABLE ROLLER CHASSIS	1500 FISSO - 3000 PIEGH	1
5	03000031	HYDRAULIC ADJUSTABLE ROLLER CHASSIS	1750 FISSO - 3500 PIEGH	1
5	03000032	HYDRAULIC ADJUSTABLE ROLLER CHASSIS	2000 FISSO - 4000 PIEGH	1
5	03000033	HYDRAULIC ADJUSTABLE ROLLER CHASSIS	2250 FISSO - 4500 PIEGH	1
5	03000034	HYDRAULIC ADJUSTABLE ROLLER CHASSIS	2500 FISSO - 5000 PIEGH	1
5	03000035	HYDRAULIC ADJUSTABLE ROLLER CHASSIS	2750 FISSO - 5500 PIEGH	1
5	03000036	HYDRAULIC ADJUSTABLE ROLLER CHASSIS	3000 FISSO - 6000 PIEGH	1
5	03000037	HYDRAULIC ADJUSTABLE ROLLER CHASSIS	3500 FISSO	1
5	03000038	HYDRAULIC ADJUSTABLE ROLLER CHASSIS	4000 FISSO - 8000 PIEGH	1
5	03000039	HYDRAULIC ADJUSTABLE ROLLER CHASSIS	7000 PIEGH	2
6	0010196	U-BOLT M16 80X80		4
7	30000017	LATERAL ROLLER HOLDER SP 20 mm		2
7	30000021	LATERAL ROLLER HOLDER SP.15 mm		2
8	30000006	LEFT CHASSIS - ROLLER PLATE LINKAGE		1
9	00500143	BOLT/NUT M16 x 1,5		8
10	30000005	RIGHT CHASSIS - ROLLER PLATE LINKAGE		1
11	00330100	U-BOLT M10 80X80		0
12	30000008	GREASER PROTECTION		2
13	00300192	UCF 208 HOLDER		2
14	33000487	UCF COVER D40		2
15	00300001	SCREW TE M12x55 GALVANIZED		8
16	00130086	BOLT/NUT M10		0
17	30000010	ROLLER CLEANER HOLDER		0
18	33000465	LARGE ROLLER CLEANER 140		0
19	03300031	SELF-CENTERING PACKER ROLLER CLEANER		0
20	03000020	CLEANER CHASSIS	1500 FISSO - 3000 PIEGH	12
20	03000021	CLEANER CHASSIS	1750 FISSO - 3500 PIEGH	12
20	03000022	CLEANER CHASSIS	2000 FISSO - 4000 PIEGH	12
20	03000023	CLEANER CHASSIS	2250 FISSO - 4500 PIEGH	12
20	03000024	CLEANER CHASSIS	2500 FISSO - 5000 PIEGH	12
20	03000025	CLEANER CHASSIS	2750 FISSO - 5500 PIEGH	12
20	03000026	CLEANER CHASSIS	3000 FISSO - 6000 PIEGH	12
20	03000027	CLEANER CHASSIS	3500 FISSO	1
20	03000028	CLEANER CHASSIS	4000 FISSO - 8000 PIEGH	12
20	03000029	CLEANER CHASSIS	7000 PIEGH	2



Machine type: POWER HARROW

Model: EC

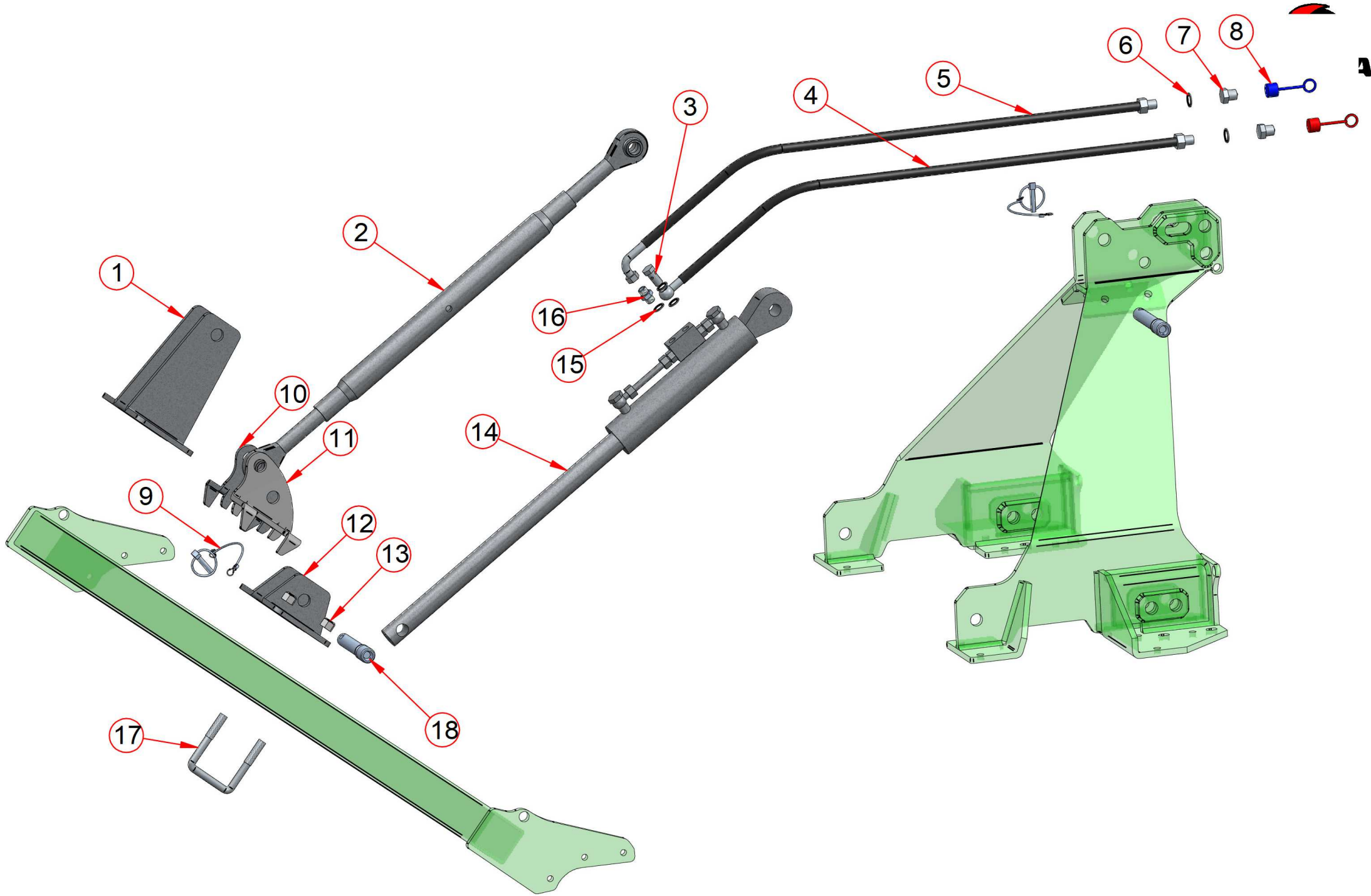
Group: SMOOTH ROLLER

Document ID:

Revision: 00 _

Table: 10

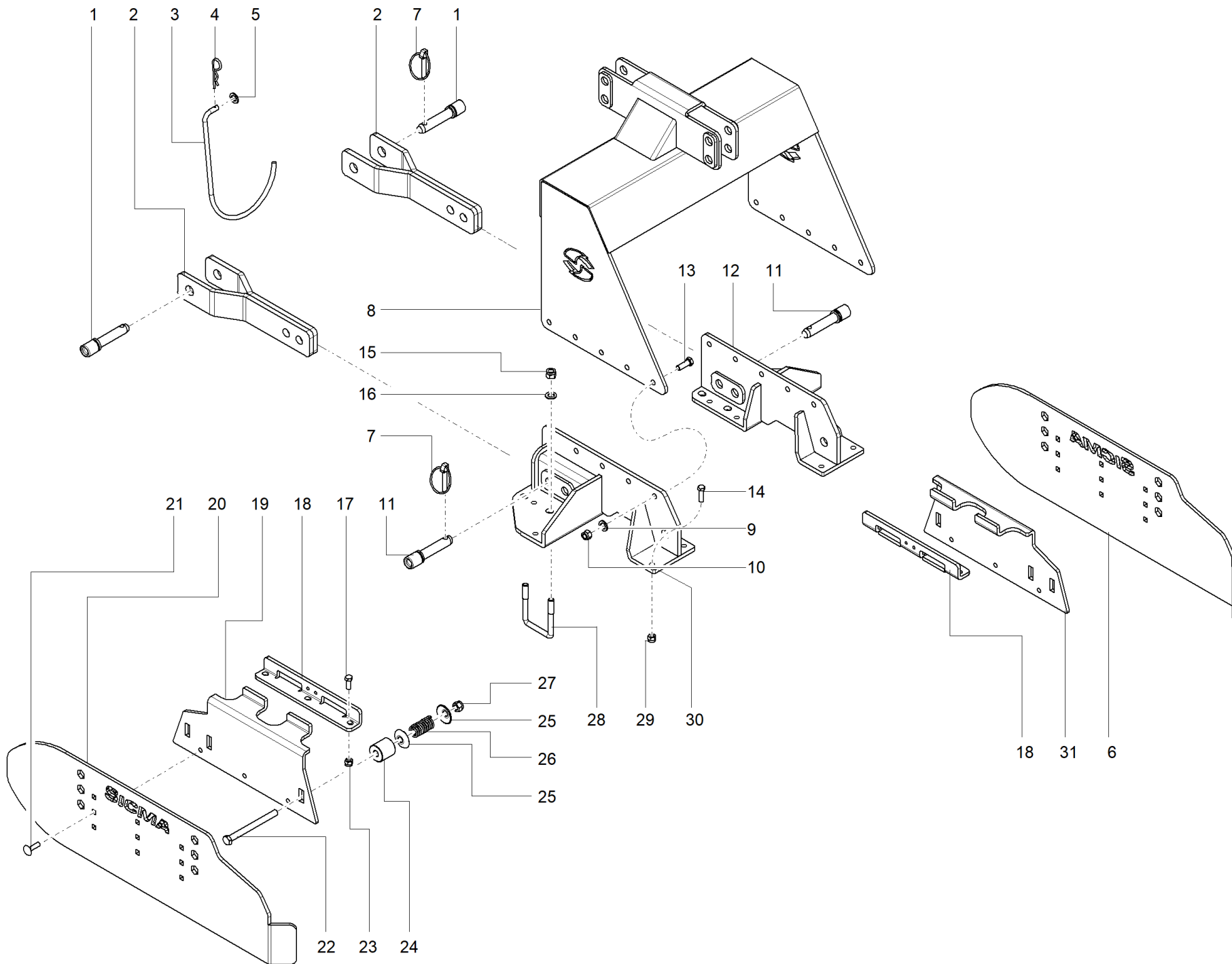
Reference	P/N	Description	Model #	Quantity
1	0010040	SCREW TE M12 X 40		12
2	0030026	LOCKING NUT M12		20
3	00470002	ELASTIC PLUG D8.5 L=50		2
4	03400362		2000 FISSO - 4000 PIEGH	12
4	03400363		2250 FISSO - 4500 PIEGH	12
4	03400364		2500 FISSO - 5000 PIEGH	12
4	03400365		2750 FISSO - 5500 PIEGH	12
4	03400366		3000 FISSO - 6000 PIEGH	12
4	03400367		3500 FISSO	1
4	03400368		4000 FISSO - 8000 PIEGH	12
4	03400358		7000 PIEGH	2
5	03000032		2000 FISSO - 4000 PIEGH	12
5	03000039		7000 PIEGH	2
5	03000038		4000 FISSO - 8000 PIEGH	12
5	03000037		3500 FISSO	1
5	03000036		3000 FISSO - 6000 PIEGH	12
5	03000035		2750 FISSO - 5500 PIEGH	12
5	03000033		2250 FISSO - 4500 PIEGH	12
5	03000034		2500 FISSO - 5000 PIEGH	12
6	0010196	U-BOLT M16 80X80		4
7	30000021	LATERAL ROLLER HOLDER SP.15 mm		2
7	30000017	LATERAL ROLLER HOLDER SP 20 mm		2
8	30000006	LEFT CHASSIS - ROLLER PLATE LINKAGE		1
9	00500143			8
10	30000005	RIGHT CHASSIS - ROLLER PLATE LINKAGE		1
11	00330100			0
12	30000008	GREASER PROTECTION		2
13	00300192	UCF 208 HOLDER		2
14	33000487	UCF COVER D40		2
15	00300001	SCREW TE M12x55 GALVANIZED		8
16	00130086			0
17	30000010	ROLLER CLEANER HOLDER		0
18	03400415		2750 FISSO - 5500 PIEGH	12
18	03400419		7000 PIEGH	2
18	03400418		4000 FISSO - 8000 PIEGH	12
18	03400416		3000 FISSO - 6000 PIEGH	12
18	03400414		2500 FISSO - 5000 PIEGH	12
18	03400413		2250 FISSO - 4500 PIEGH	12
18	03400412		2000 FISSO - 4000 PIEGH	12
18	03400417		3500 FISSO	1
19	03000029	CLEANER CHASSIS	7000 PIEGH	2
19	03000022		2000 FISSO - 4000 PIEGH	12
19	03000023		2250 FISSO - 4500 PIEGH	12
19	03000024		2500 FISSO - 5000 PIEGH	12
19	03000025		2750 FISSO - 5500 PIEGH	12
19	03000026		3000 FISSO - 6000 PIEGH	12
19	03000027	CLEANER CHASSIS	3500 FISSO	1
19	03000028	CLEANER CHASSIS	4000 FISSO - 8000 PIEGH	12



Machine type: POWER HARROW
Model: EC
Group: ROLLER ADJUSTMENT

Document ID:
Revision: 00 _
Table: 11

Reference	P/N	Description	Model #	Quantity
1	40000567	BRACKET FOR HYDRAULIC ADJUSTABLE ROLLER		2
2	40000568	THIRD POINT LINKAGE L=870		1
3	0020015			1
4	00400098			1
5	00400097			1
6	0020003			2
7	0020020			2
8	0020021			2
9	0010176	CLIP WITH LACE		2
10	41000569	RH, NER BRACKET FOR PACKER ROLLER		1
11	41000568	LH, BRACKET FOR VITIS ROLLER RESULATION		1
12	41000570	BRACKET FOR ROLLER RESULATION		2
13	0050035	LOCKING NUT M16		4
14	40000569	ROLLER REGULATION CYLINDER		1
15	0020002			3
16	00400128			1
17	0010196	U-BOLT M16 80X80		2
18	11000267	Pin Ø25		2



Machine type: POWER HARROW

Model: EC

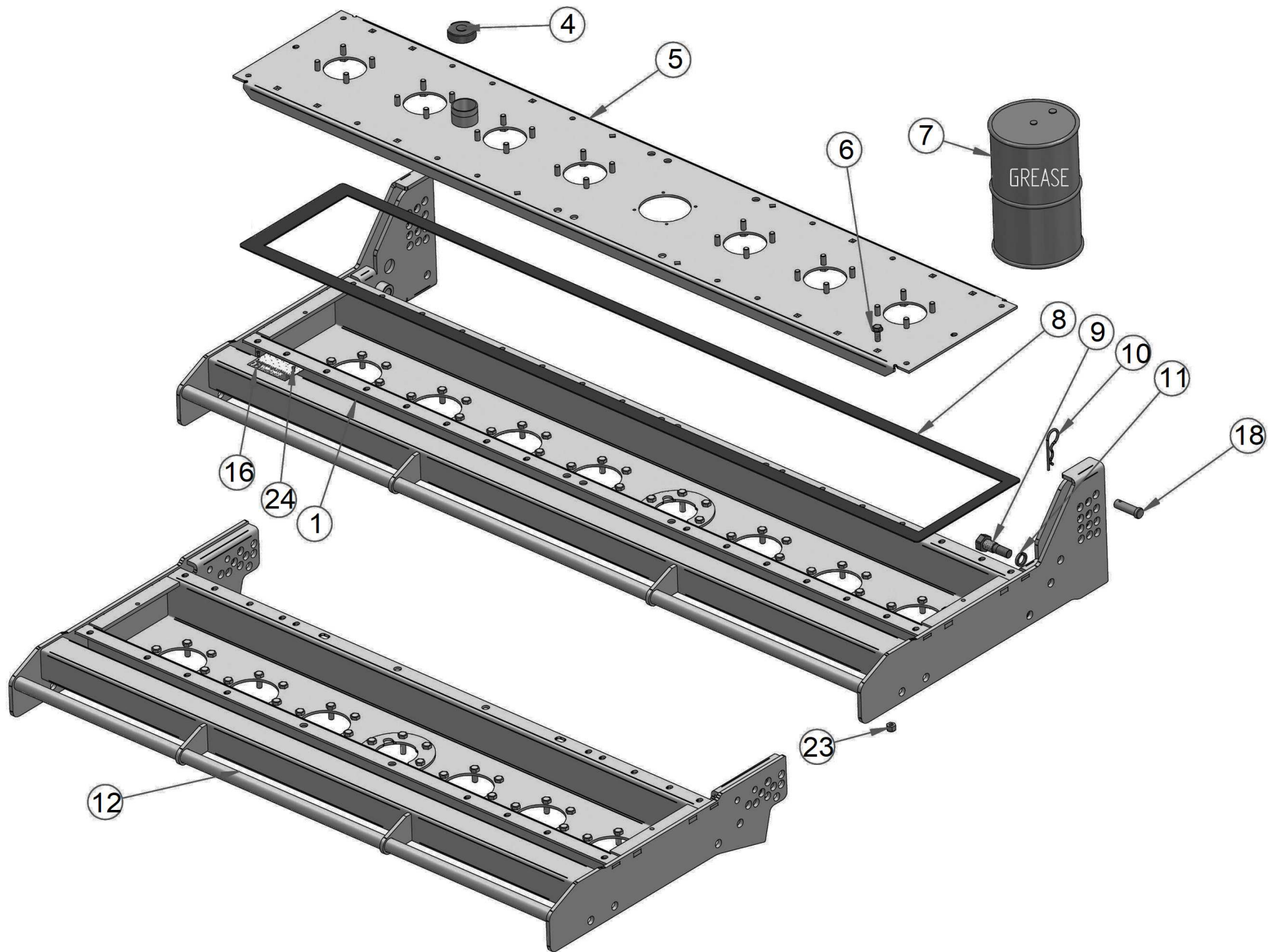
Group: 12

Document ID: 902688001

Revision: 01_01/01/2020 ->

Table: 12

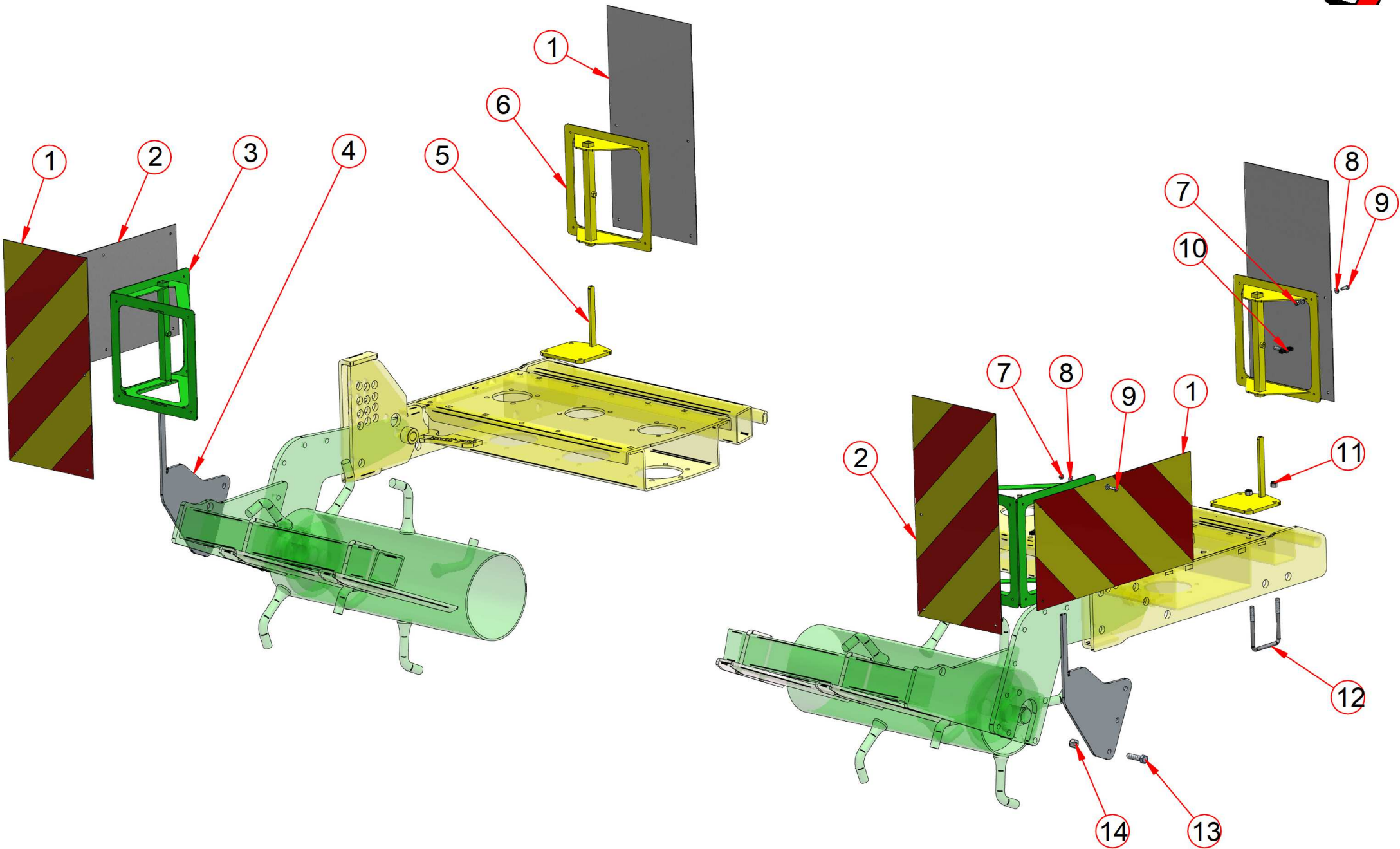
Reference	P/N	Description	Model #	Quantity
1	11000632	PIN 0 28 LOWER		3
2	01100118	Lower attachment arm		2
3	0100176	ROUND FOR CARDAN HOLDER		1
4	00110102	Elastic pin "R"		1
5	0010103	RING 42X15X2.5 GALVANIZED		1
6	4132720			1
7	0010176	CLIP WITH LACE		3
8	4002707			1
9	3604100014	Flat washer UNI6592 140Hv Øi14 galvanised		10
10	3464101014	UNI7473 (coarse pitch) M14 zinc plated nut		10
11	11000267	Pin Ø25		2
12	4002705			1
13	3021114035	Screw UNI5739 8.8 M14x35 galvanised (coarse pitch)		10
14	0010040	SCREW TE M12 X 40		4
15	0050035	LOCKING NUT M16		4
16	3604100016	Flat washer UNI6592 140Hv Øi16 galvanised		4
17	0010040	SCREW TE M12 X 40		6
18	6000639	ANGULAR SIDE DEFLECTOR JUNCTION		2
19	6000640	SIN DEFLECTOR'S SUPPORT RIGHT		1
20	4132721			1
21	0060180	SCREW TTOE M12 X 40		6
22	0060179	SCREW TE M16 X 180		4
23	0030026	LOCKING NUT M12		6
24	6000655	Sin deflector spacer		2
25	6000653	Rounder washer		4
26	6000654	Sire deflector's spring		2
27	0050035	LOCKING NUT M16		2
28	0010196	U-BOLT M16 80X80		2
29	0030026	LOCKING NUT M12		4
30	4002706			1
31	6000641	SIDE DEFLECTOR'S SUPPORT LEFT		1



Machine type: POWER HARROW
 Model: EC
 Group: FRAME AND GUARDS

Document ID: 902688001
 Revision: 01_01/01/2020 ->
 Table: 13

Reference	P/N	Description	Model #	Quantity
1	01600159	CASE	MOD. 2250	1
1	01600160	CASE	MOD. 2500	1
1	01600162	CASE	MOD. 2750	1
1	01600163	CASE	MOD. 3000	1
1	01600164	CASE	MOD. 3500	1
1	01600166	CASE	MOD. 4000	1
1	01600167	CASE	MOD. 3250	1
1	01600168	CASE	MOD. 3750	1
1	01600537	CASE	MOD. 4500	1
1	01600550	CASE	MOD. 5000	1
4	0060043	COVER'S CAP		1
5	01600002	COVER	MOD. 1000	1
5	01600126	COVER	MOD. 3250	1
5	01600127	COVER	MOD. 3750	1
5	01600147	COVER	MOD. 1500	1
5	01600148	COVER	MOD. 1750	1
5	01600149	COVER	MOD. 2000	1
5	01600150	COVER	MOD. 2250	1
5	01600151	COVER	MOD. 2500	1
5	01600152	COVER	MOD. 2750	1
5	01600153	COVER	MOD. 3000	1
5	01600154	COVER	MOD. 3500	1
5	01600155	COVER	MOD. 4000	1
5	01600539	COVER	MOD. 4500	1
5	01600543	COVER	MOD. 1250	1
6	0030025	FLANGEO ZINC-COATEO SCREW TE M12 X		0
6	6000257	Lithium grease	MOD. 2500	33
6	6000257	Lithium grease	MOD. 1250	17
6	6000257	Lithium grease	MOD. 1500	20
6	6000257	Lithium grease	MOD. 1750	23
6	6000257	Lithium grease	MOD. 2750	37
6	6000257	Lithium grease	MOD. 3000	40
6	6000257	Lithium grease	MOD. 3250	43
6	6000257	Lithium grease	MOD. 3500	47
6	6000257	Lithium grease	MOD. 3750	50
6	6000257	Lithium grease	MOD. 4000	53
6	6000257	Lithium grease	MOD. 4500	60
6	6000257	Lithium grease	MOD. 2000	27
6	6000257	Lithium grease	MOD. 2250	30
7	6000257	Lithium grease	MOD. 5000	67
8	0060052	CASE-COVER MOUSSE GASKET		1
9	6000158	ROLLER'S FIXING SCREW		2
9	6000638	Roller's fixing screw		2
10	0060051	"R" PLUG 5mm DIAMETER		2
11	0060001	GROWER WASHER 024		2
11	0060004	GROWER WASHER 024		2
12	01600059	CASE	MOD. 1250	1
12	01600061	CASE	MOD. 1500	1
12	01600064	CASE	MOD. 1750	1
12	01600066	CASE	MOD. 1000	1
12	01600068	CASE	MOD. 2000	1
12	01600071	CASE	MOD. 2250	1
16	200000008	CE PLATE		1
18	6000090	SHORT PIN		2
23	0030026	LOCKING NUT M12		0
24	0060002	RIVET D3 LENGTH 20mm		2



Machine type: POWER HARROW

Model: EC

Group: SIGNS

Document ID:

Revision: 00 _

Table: 14

Reference	P/N	Description	Model #	Quantity
1	00460001			5
2	00460002			1
3	04600001			2
4	046000006			2
5	04600003			2
6	04600004			2
7	0030005			24
8	0030007			48
9	0030006			24
10	0460003			4
11	00130086			8
12	00330100			4
13	00190124			6
14	0030026	LOCKING NUT M12		6