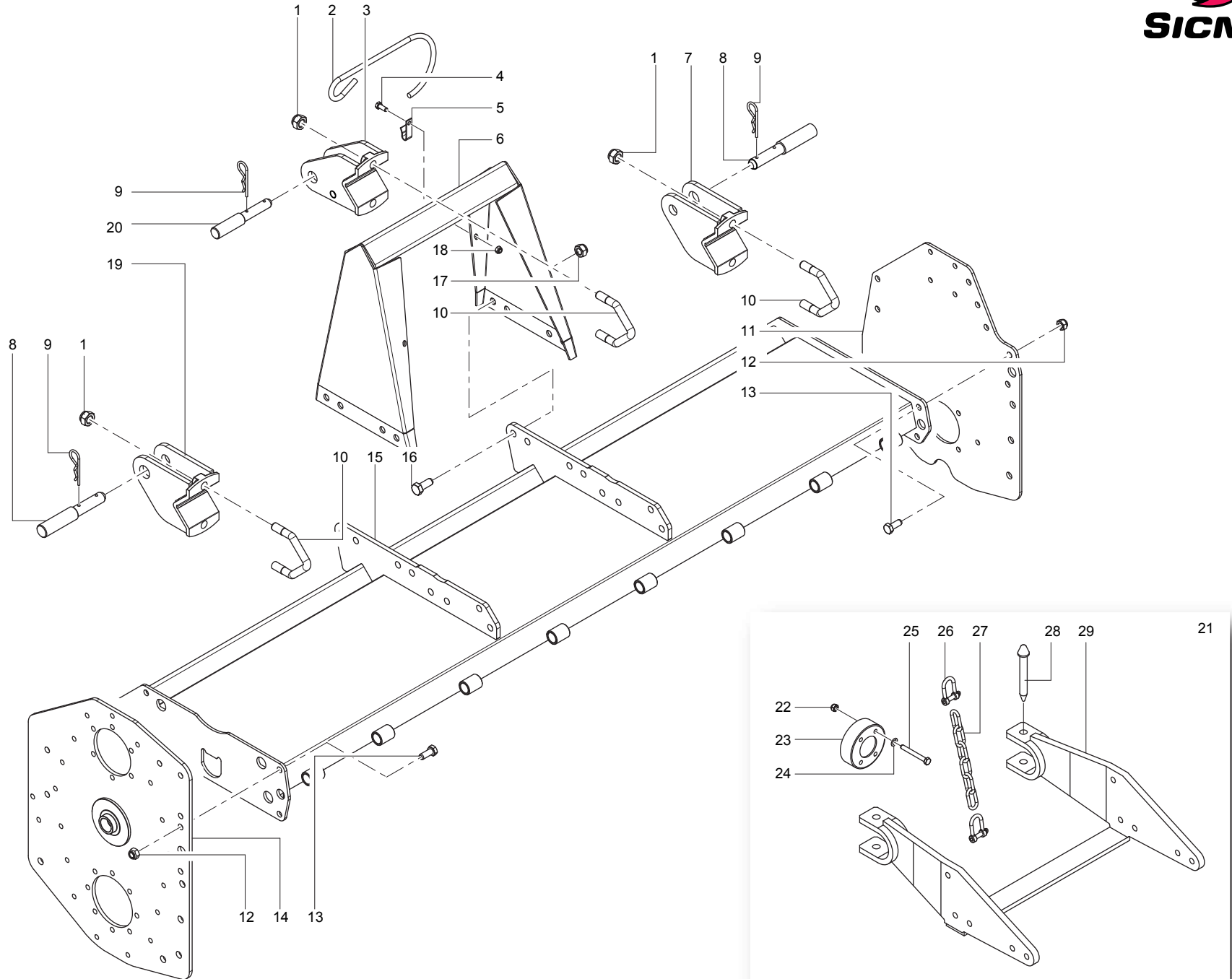


Type: ROTARY TILLER  
Mod.: RD/110•120•135•150•160•185•210  
Rev.: 05/2016  
Drw.: 01



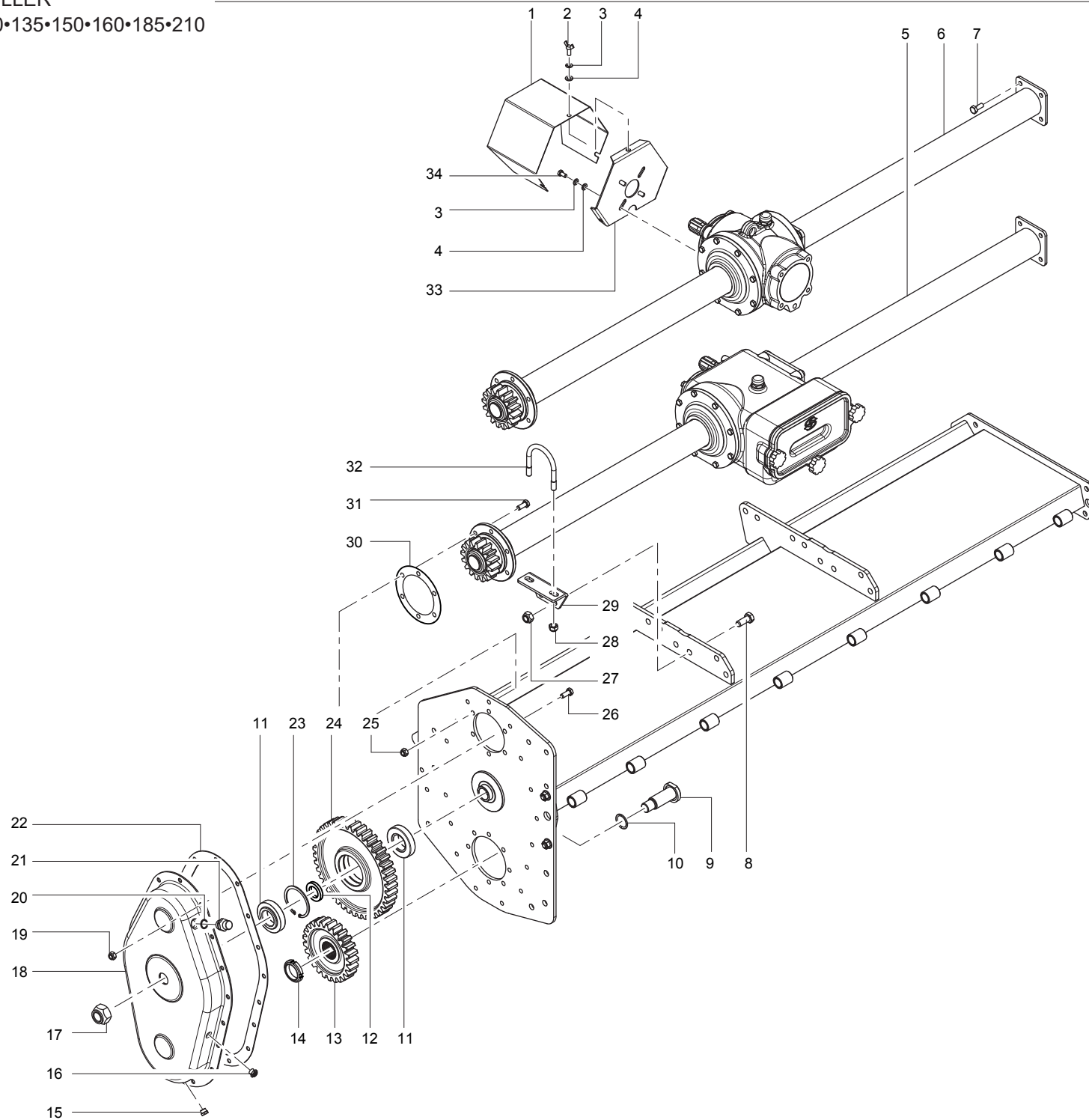
Type: ROTARY TILLER  
 Mod.: RD/110•120•135•150•160•185•210  
 Rev.: 05/2016  
 Tab.: 01



Pag.: 1/1

RIF	COD	DESCRIZIONE	DESCRIPTION	QTY
1	3444101016	Dado ATB M16 metallico DIN 980	Nut M16 DIN 980	6
2	4337002	Gancio 200	Hook	1
3	4002220	Attacco 3° punto superiore	Top hitch clevis	1
4	3021108020	Vite TE M8x20 UNI 5739	Screw M12x20 UNI 5739	1
5	5137068	Clip per gancio	Clip for hook	1
6	4008697	Castelletto attacco 3° punto	Top hitch frame	1
7	4002226	Attacco 3° punto inferiore Dx	Lower hitch clevis, Rh	1
8	4208292	Perno 3° punto inferiore	Pin lower hitch	2
9	6351004	Copiglia ad "R" Ø4	Cotter pin Ø4	3
10	4302257	Cravatta bloccaggio attacchi	"U" screw	3
11	4932501	Piastra lato esterno	External side plate	1
12	3444101012	Dado ATB M12 metallico DIN 980	Nut M12 DIN 980	8
13	3021112030	Vite TE M12x30 UNI 5739	Screw M12x30 UNI 5739	8
14	4002500	Piastra trasmissione	Transmission plate	1
15	4002511	Telaio RD/110	Frame RD/110	1
15	4002512	Telaio RD/120	Frame RD/120	1
15	4002513	Telaio RD/135	Frame RD/135	1
15	4002514	Telaio RD/150	Frame RD/150	1
15	4002515	Telaio RD/160	Frame RD/160	1
15	4002516	Telaio RD/185	Frame RD/185	1
15	4002517	Telaio RD/210	Frame RD/210	1
15	4002550	Telaio RD/160 forato per portadocumenti	Frame RD/160 for canister	1
15	4002551	Telaio RD/185 forato per portadocumenti	Frame RD/185 for canister	1
15	4002552	Telaio RD/210 forato per portadocumenti	Frame RD/210 for canister	1
16	3021114035	Vite TE M14x35 UNI 5739	Screw TE M14x35 UNI 5739	8
17	3444101014	Dado ATB M14 metallico DIN 980	Nut M14 DIN 980	8
18	3464101008	Dado M8 UNI 7473	Nut M8 UNI 7473	1
19	4002227	Attacco 3° punto inferiore Sx	Lower hitch clevis, Lh	1
20	4309180	Perno 3° punto superiore	Pin, top hitch	1
21	8820014	Kit attacco 2 punti	Top hitch clevis (2 points) kit	1
22	3464101010	Dado M10 UNI7473	Nut M10 UNI7473	4
23	4202201	Distanziale semigiunti attacco 2 punti	Spacer	1
24	3625100010	Rosetta grower M10 UNI 1751	Grower M10 UNI 1751	4
25	3011110070	Vite TE M10X70 UNI 5737	Screw M10X70 UNI 5737	4
26	4705271	Grillo "S" M14	Clevis	4
27	4502001	Catena x sollevamento attacco 2 punti	Chain	2
28	4705061	Perno x rullo Ø18	Pin	2
29	4002256	Telaio attacco 2 punti	Frame	1

Type: ROTARY TILLER  
Mod.: RD/110•120•135•150•160•185•210  
Rev.: 05/2016  
Drw.: 02



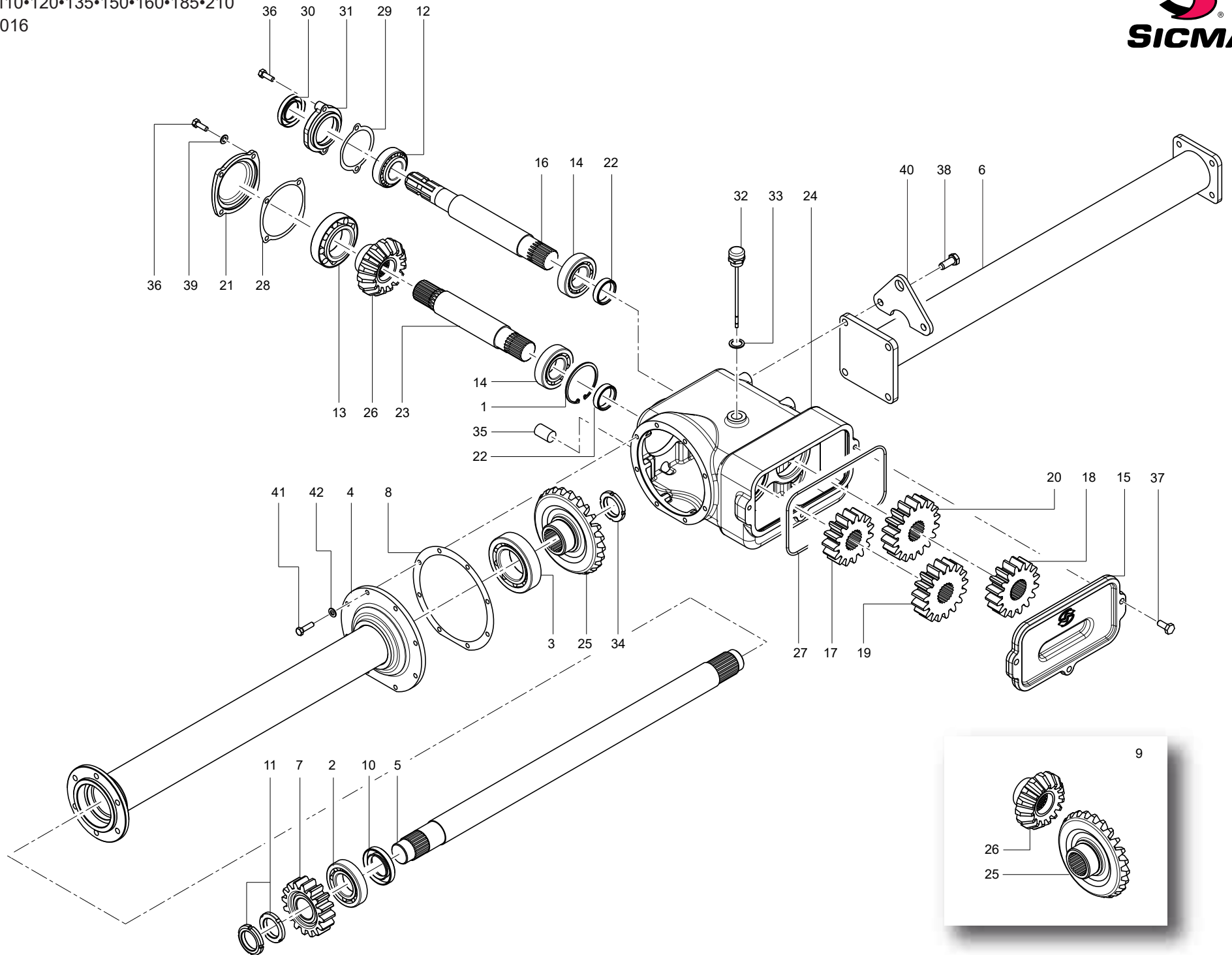
Type: ROTARY TILLER  
 Mod.: RD/110•120•135•150•160•185•210  
 Rev.: 05/2016  
 Tab.: 02



Pag.: 1/1

RIF	COD	DESCRIZIONE	DESCRIPTION	QTY
1	4138034	Protezione giunto	Joint protection	1
2	33108020	Vite ad alette M8x1,25x20	Screw M8x1,25x20	3
3	3625100008	Rosetta grower Ø8 UNI 1751	Grower M8 UNI 1751	7
4	3604100008	Rosetta piana Ø8 UNI 6592	Wascher Ø8 UNI 6592	7
5	8826001	Gruppo cambio+prolunghe RD/110	4-Speed gearbox RD/110	1
5	8826002	Gruppo cambio+prolunghe RD/120	4-Speed gearbox RD/120	1
5	8826003	Gruppo cambio+prolunghe RD/135	4-Speed gearbox RD/135	1
5	8826004	Gruppo cambio+prolunghe RD/150	4-Speed gearbox RD/150	1
5	8826005	Gruppo cambio+prolunghe RD/160	4-Speed gearbox RD/160	1
5	8826006	Gruppo cambio+prolunghe RD/185	4-Speed gearbox RD/185	1
5	8826007	Gruppo cambio+prolunghe RD/210	4-Speed gearbox RD/210	1
6	8826014	Gruppo no cambio+ prolunghe RD/110	1-Speed gearbox RD/110 clockwise	1
6	8826015	Gruppo no cambio+ prolunghe RD/120	1-Speed gearbox RD/120 clockwise	1
6	8826016	Gruppo no cambio+ prolunghe RD/135	1-Speed gearbox RD/135 clockwise	1
6	8826017	Gruppo no cambio+ prolunghe RD/150	1-Speed gearbox RD/150 clockwise	1
6	8826018	Gruppo no cambio+ prolunghe RD/160	1-Speed gearbox RD/160 clockwise	1
6	8826019	Gruppo no cambio+ prolunghe RD/185	1-Speed gearbox RD/185 clockwise	1
6	8826020	Gruppo no cambio+ prolunghe RD/210	1-Speed gearbox RD/210 clockwise	1
6	8826021	Gruppo antiorario no cambio+prolunghe RD/110	1-Speed gearbox RD/110 anticlockwise	1
6	8826022	Gruppo antiorario no cambio+prolunghe RD/120	1-Speed gearbox RD/120 anticlockwise	1
6	8826023	Gruppo antiorario no cambio+prolunghe RD/135	1-Speed gearbox RD/135 anticlockwise	1
6	8826024	Gruppo antiorario no cambio+prolunghe RD/150	1-Speed gearbox RD/150 anticlockwise	1
6	8826025	Gruppo antiorario no cambio+prolunghe RD/160	1-Speed gearbox RD/160 anticlockwise	1
6	8826026	Gruppo antiorario no cambio+prolunghe RD/185	1-Speed gearbox RD/185 anticlockwise	1
6	8826027	Gruppo antiorario no cambio+prolunghe RD/210	1-Speed gearbox RD/210 anticlockwise	1
7	3021110030	Vite M10x30 TE UNI 5739	Screw M10x30 TE UNI 5739	4
8	3021114035	Vite TE M14X35 UNI 5739	Screw M14X35 UNI 5739	4
9	4208020	Perno ingranaggio di rinvio	Intermediate gear pin	1
10	6800030	O-ring 217	O-ring 217	1
11	2730208	Cuscinetto 30208	Bearing 30208	2
12	4592548	Distanziale ingranaggio rinvio	Spacer	1
13	4728020	Ingranaggio condotto Z25	Driven gear Z25	1
14	3514201035	Ghiera ATB M35x1.5 Alta	Self locking metal ring M35x1.5	1
15	3441014	Tappo olio M14x1,5	Plug M14x1,5	1
16	3444114	Tappo olio con oblò M14x1,5	Oil level plug M14x1,5	1
17	3474102024	Dado M24 UNI 7474 Hmax 21mm P.F.	Nut M24 UNI 7474	1
18	4002501	Carter trasmissione	Drive cover	1
19	3444101010	Dado ATB M10 DIN980	Nut M10 DIN980	17
20	6800018	OR 18.72X2.62	OR 18.72X2.62	1
21	3442022	Tappo di carico e sfiato M22x1,5	Plug M22x1,5	1
22	4788218	Guarnizione coperchio trasmissione	Gasket	1
23	6310080	Seeger x interno Ø80 DIN 472	Internal circlip Ø80 DIN 472	1
24	4728019	Ingranaggio di rinvio Z41	Intermediate gear Z41	1
25	3464101010	Dado M10 UNI 7473	Nut M10 UNI 7473	6
26	3021110025	Vite TE M10x25 UNI 5739	Screw M10x25 UNI 5739	17
27	3464101014	Dado M14 UNI 7473	Nut M14 UNI 7473	4
28	3464101012	Dado M12 UNI 7473	Nut M12 UNI 7473	4
29	4132189	Angolare per cravatta di fissaggio	Angle for fixing "U" screw	2
30	4788216	Guarnizione supporto albero	Gasket, extension tube	1
31	3021112030	Vite TE UNI 5739 M12x30	Screw UNI 5739 M12x30	6
32	4302101	Cravatta fissaggio prolunga	"U" screw	2
33	4138036	Supporto protezione giunto	Protection support	1
34	3021108030	Vite TE M8x30 UNI 5739	Screw TE M8x30 UNI 5739	7

Type: ROTARY TILLER  
Mod.: RD/110•120•135•150•160•185•210  
Rev.: 05/2016  
Drw.: 03



Type: ROTARY TILLER  
 Mod.: RD/110•120•135•150•160•185•210  
 Rev.: 05/2016  
 Tab.: 03



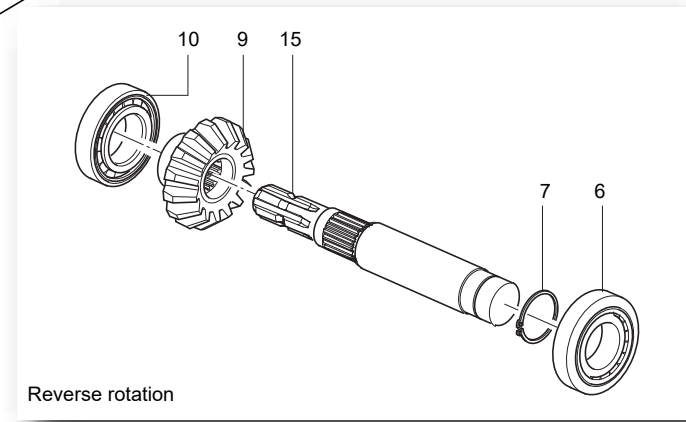
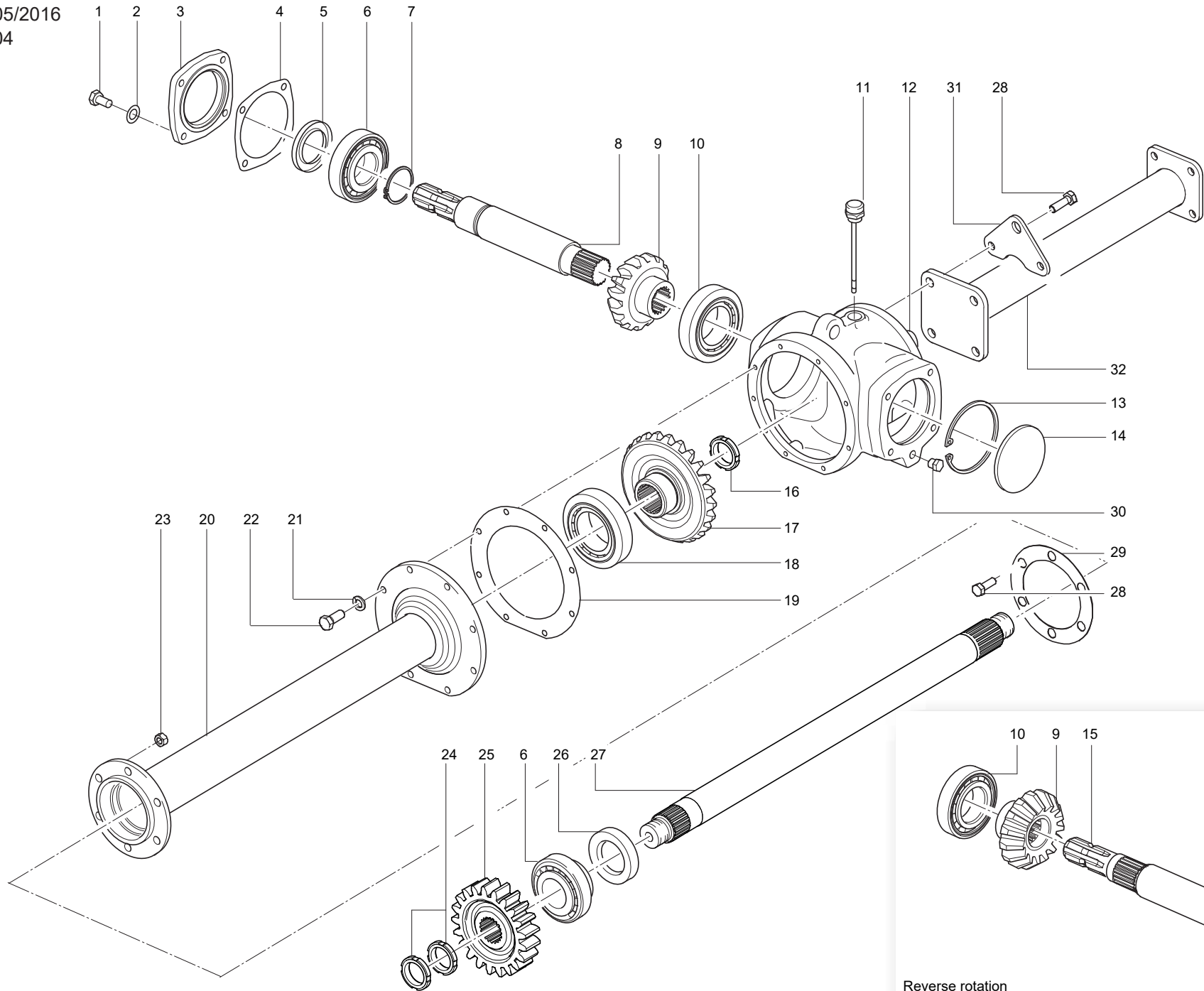
Pag.: 1/1

RIF	COD	DESCRIZIONE	DESCRIPTION	QTY
1	6310080	Seeger per fori Ø80 DIN 472	Reating ring for bores Ø80 DIN 472	1
2	2732209	Cuscinetto 32209	Bearing 32209	1
3	2732212	Cuscinetto 32212	Bearing 32212	1
4	4002521	Prolunga trasmissione RD/110	Extension tube RD/110	1
4	4002522	Prolunga trasmissione RD/120	Extension tube RD/120	1
4	4002523	Prolunga trasmissione RD/135	Extension tube RD/135	1
4	4002524	Prolunga trasmissione RD/150	Extension tube RD/150	1
4	4002525	Prolunga trasmissione RD/160	Extension tube RD/160	1
4	4002526	Prolunga trasmissione RD/185	Extension tube RD/185	1
4	4002527	Prolunga trasmissione RD/210	Extension tube RD/210	1
5	4212501	Albero prolunga RD/110	Shaft RD/110	1
5	4212502	Albero prolunga RD/120	Shaft RD/120	1
5	4212503	Albero prolunga RD/135	Shaft RD/135	1
5	4212504	Albero prolunga RD/150	Shaft RD/150	1
5	4212505	Albero prolunga RD/160	Shaft RD/160	1
5	4212506	Albero prolunga RD/185	Shaft RD/185	1
5	4212507	Albero prolunga RD/210	Shaft RD/210	1
6	4002531	Supporto lato esterno RD/110	External side support RD/110	1
6	4002532	Supporto lato esterno RD/120	External side support RD/120	1
6	4002533	Supporto lato esterno RD/135	External side support RD/135	1
6	4002534	Supporto lato esterno RD/150	External side support RD/150	1
6	4002535	Supporto lato esterno RD/160	External side support RD/160	1
6	4002536	Supporto lato esterno RD/185	External side support RD/185	1
6	4002537	Supporto lato esterno RD/210	External side support RD/210	1
7	4728024	Ingranaggio conduttore Z16 M6	Driving gear Z16	1
8	20850-05	Guarnizione supporti trasmissione	Gasket, extension tubes	1
9	80050-15	Kit coppia conica	Bevel gear kit	1
10	6204562	Paraolio 45x62x10pp DIN 3760 tipo ASP	Oilseal 45x62x10pp DIN 3760	1
11	34008040	Ghiera di bloccante "Km" M40x1.5 DIN 981	Locking nut "km" M40x1.5 DIN 981	2
12	2732207	Cuscinetto 32207	Bearing 32207	1
13	2732211	Cuscinetto 32211	Bearing 32211	1
14	2732208	Cuscinetto 32208	Bearing 32208	2
15	16750-01	Coperchio cambio	Gearbox cover	1
16	12250-05	Albero presa di forza	Pto shaft	1
17	12250-02	Ingranaggio Z16	Gear Z16	1
18	12250-04	Ingranaggio Z18	Gear Z18	1
19	12250-01	Ingranaggio Z15	Gear Z15	1
20	12250-03	Ingranaggio Z17	Gear Z17	1
21	17050-01	Supporto pignone	Pinion cover	1
22	25450-01	Distanziale	Spacer	2
23	12150-01	Albero pignone	Pinion shaft	1
24	16550-01	Carter coppia conica	Gearbox housing	1
25	17250-02	Corona conica Z24	Bevel gear Z24	1
26	17250-01	Pignone conico Z15	Bevel pinion Z15	1
27	20950-01	Guarnizione coperchio cambio	Gasket, gearbox cap	1
28	20850-01	Guarnizione coperchio (sp.0.2 mm)	Gasket, pinion cap (sp.0.2 mm)	1
28	20850-02	Guarnizione coperchio (sp.0.3 mm)	Gasket, pinion cap (sp.0.3 mm)	1
28	20850-03	Guarnizione coperchio (sp.0.5 mm)	Gasket, pinion cap (sp.0.5 mm)	1
29	20850-04	Guarnizione coperchio PTO	Gasket, pto shaft	1
30	6203562	Paraolio 35x62x10 pp	Oil seal 35x62x10 pp	1
31	17050-02	Supporto albero PTO	PTO shaft bearing	1
32	25250-01	Tappo valvola e livello M22x1.5	Oil level plug M22x1,5	1
33	6470118	Rondella di tenuta M22 (al/cu)	Gasket M22 (al/cu)	1
34	34126040	Ghiera autobloccante M40x1.5 DIN 981	Locking nut km M40x1.5 DIN 981	1
35	3441022	Tappo conico M22x1.5	Oil plug m22x1.5	1
36	3022108025	Vite TE M8x25 UNI 5739	Screw M8x25 UNI 5739	6
37	3021110030	Vite TE M10x30 UNI 5739	Screw M10x30 UNI 5739	3
38	3021112030	Vite M12x30 TE UNI 5739	Screw M12x30 UNI 5739	4
39	3625100008	Rosetta grower Ø08 DIN 1751	Washer grower Ø8 DIN 1751	6
40	4937921	Attacco gancio sollevamento	Mounting hook	1
41	3021110025	Vite TE M10x25 UNI 5739	Screw M10x25 UNI 5739	8
42	3625100010	Rosetta grower Ø08 DIN 1751	Washer grower Ø8 DIN 1751	8

Rev. 05  
 13/12/2016  
 RAT: 6469

Rif.		Descrizione	Description	Code	
Old	New			Old	New
	#41	Vite TE M10x25 UNI 5739	Screw M10x25 UNI 5739		3021110025
	#42	Rosetta grower Ø10 DIN 1751	Washer grower Ø10 DIN 1751		3625100010

Type: ROTARY TILLER  
Mod.: RD/110•120•135•150•160•185•210  
Rev.: 05/2016  
Drw.: 04



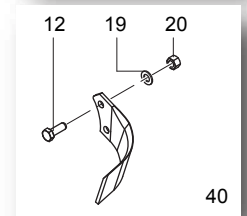
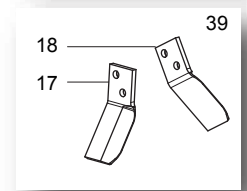
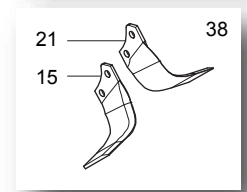
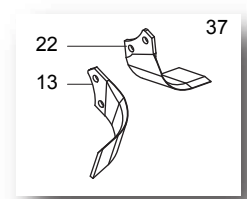
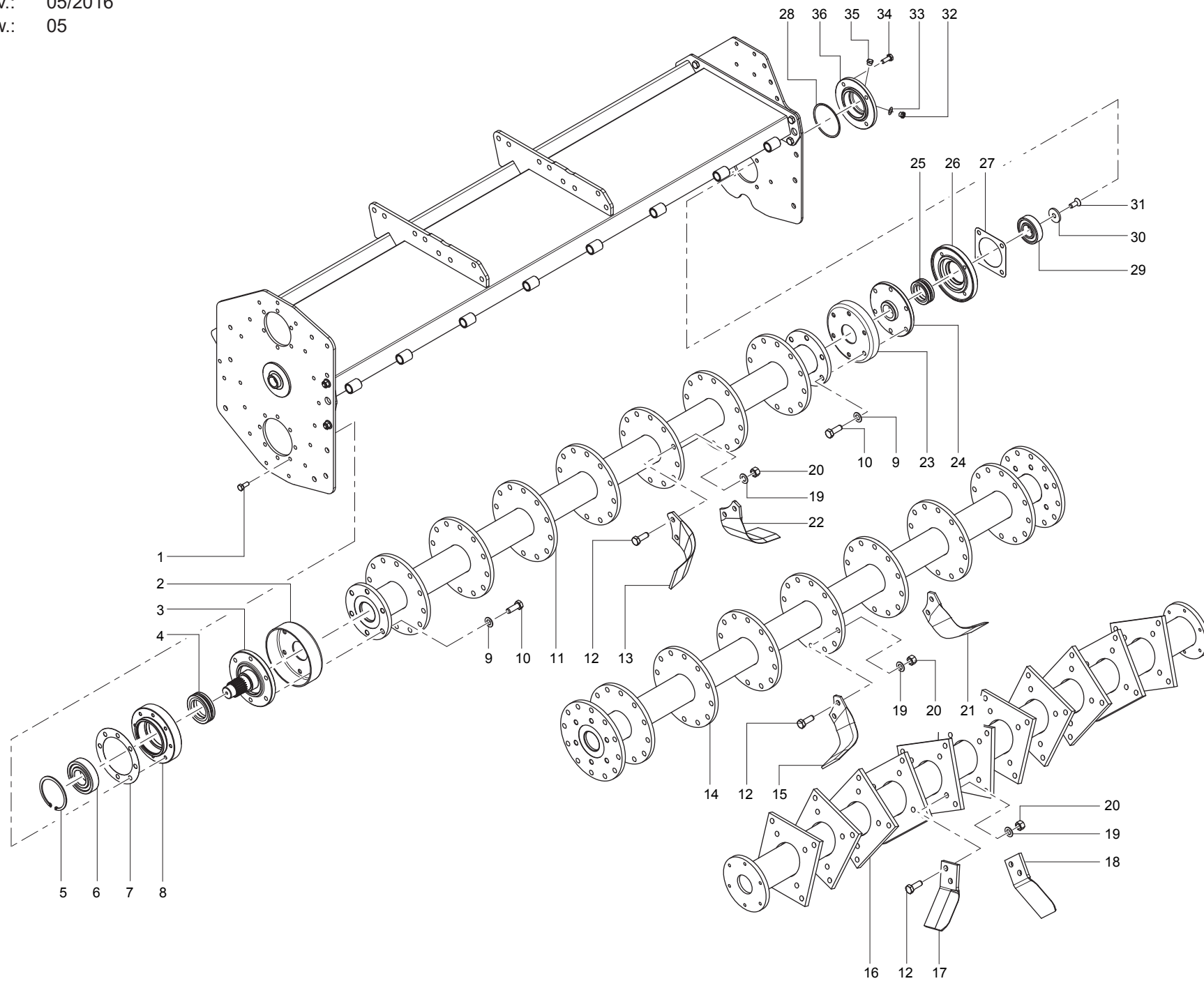
Type: ROTARY TILLER  
 Mod.: RD/110•120•135•150•160•185•210  
 Rev.: 05/2016  
 Tab.: 04



Pag.: 1/1

RIF	COD	DESCRIZIONE	DESCRIPTION	QTY
1	3021110030	Vite M10x30 UNI 5739	Screw M10x30 UNI 5739	4
2	3625000010	Rosetta grower Ø10 UNI 1751	Grower Ø10 UNI 1751	4
3	19350-01	Supporto paraolio	Support	1
4	20850-10	Guarnizione	Gasket	1
5	6204580	Paraolio Ø45xØ80x10 DIN 3760	Oilseal Ø45xØ80x10 DIN 3760	1
6	2030309	Cuscinetto 30309	Bearing 30309	2
7	6320045	Seeger x albero Ø45 DIN 472	External circlip Ø45 DIN 472	1
8	12150-01	Albero pignone	Pinion shaft	1
9	17250-01	Pignone Z15	Bevel pinion Z15	1
10	2732211	Cuscinetto 32211	Bearing 32211	1
11	25250-01	Tappo valvola e livello M22x1.5	Oil level plug M22x1,5	1
12	16550-03	Carter coppia conica	Gearbox housing	1
13	6310100	Seeger x foro Ø100 DIN 472	Internal circlip Ø100 DIN 472	1
14	61001000	Tappo Ø100	Cover Ø100	1
15	12150-10	Albero pignone rotazione inversa	Pinion shaft reverse rotation	1
16	34126040	Ghiera autobloccante M40x1.5	Locking nut M40x1.5	1
17	17250-02	Corona Z24	Bevel gear Z24	1
18	2732212	Cuscinetto 32212	Bearing 32212	1
19	20850-05	Guarnizione	Gasket	1
20	4002541	Supporto albero RD/110	Extension tube RD/110	1
20	4002542	Supporto albero RD/120	Extension tube RD/120	1
20	4002543	Supporto albero RD/135	Extension tube RD/135	1
20	4002544	Supporto albero RD/150	Extension tube RD/150	1
20	4002545	Supporto albero RD/160	Extension tube RD/160	1
20	4002546	Supporto albero RD/185	Extension tube RD/185	1
20	4002547	Supporto albero RD/210	Extension tube RD/210	1
21	3645200008	Rosetta schonrr M8	Schonrr M8	8
22	3022108025	Vite TE M8x22 UNI 5339	Screw TE M8x22 UNI 5339	8
23	3444101010	Dado autobloccante M10 DIN 980	Self locking M10 DIN 980	6
24	34008040	Ghiera km M40x1.5 DIN 981	Locking nut km M40x1.5 DIN 981	2
25	4728024	Ingranaggio conduttore Z16	Driving gear Z16	1
26	6204572	Paraolio 72x45x10 DIN 3760	Oilseal 72x45x10 DIN 3760	1
27	4212511	Albero corona RD/110	Shaft RD/110	1
27	4212512	Albero corona RD/120	Shaft RD/120	1
27	4212513	Albero corona RD/135	Shaft RD/135	1
27	4212514	Albero corona RD/150	Shaft RD/150	1
27	4212515	Albero corona RD/160	Shaft RD/160	1
27	4212516	Albero corona RD/185	Shaft RD/185	1
27	4212517	Albero corona RD/210	Shaft RD/210	1
28	3021110030	Vite TE M10x30 UNI 5739	Screw M10x30 UNI 5739	6
29	4788216	Guarnizione	Gasket, extension tubes	1
30	3441014	Tappo conico M14x1.5	Plug M14x1,5	1
31	4937921	Attacco gancio sollevamento	Attachment hook	1
32	4002531	Supporto lato esterno RD/110	Support the outside RD/110	1
32	4002532	Supporto lato esterno RD/120	Support the outside RD/120	1
32	4002533	Supporto lato esterno RD/135	Support the outside RD/135	1
32	4002534	Supporto lato esterno RD/150	Support the outside RD/150	1
32	4002535	Supporto lato esterno RD/160	Support the outside RD/160	1
32	4002536	Supporto lato esterno RD/185	Support the outside RD/185	1
32	4002537	Supporto lato esterno RD/210	Support the outside RD/210	1

Type: ROTARY TILLER  
Mod.: RD/110•120•135•150•160•185•210  
Rev.: 05/2016  
Drw.: 05



Type: ROTARY TILLER  
 Mod.: RD/110•120•135•150•160•185•210  
 Rev.: 05/2016  
 Tab.: 05



Pag.: 1/2

RIF	COD	DESCRIZIONE	DESCRIPTION	QTY
1	3021110025	ViteTE M10X25 UNI 5739	Screw M10X25 UNI 5739	8
2	4148040	Coperchio parapolvere trasmissione	Dust cover	1
3	4728703	Mozzo ingranaggio condotto	Driven gear hub	1
4	6203707	Anello di tenuta GNL IM 5470	Oil seal GNL IM 5470	1
5	6310100	Seeger interno Ø100 DIN 472	Internal circlip Ø100 DIN 472	1
6	2106309	Cuscinetto 6309	Bearing 6309	1
7	4788217	Guarnizione supporto ingranaggio condotto	Gasket	1
8	4708702	Supporto mozzo ingranaggio	Hub support	1
9	3635000012	Rosetta grower Ø12 FIAT 10188	Washer Ø12 FIAT 10188	12
10	3021112035	Vite TE M12x35 UNI 5739	Screw M12x35 UNI 5739	12
11	4002194	Rotore RD/110	Rotor RD/110	1
11	4002195	Rotore RD/120	Rotor RD/120	1
11	4002127	Rotore RD/135	Rotor RD/135	1
11	4002128	Rotore RD/150	Rotor RD/150	1
11	4002129	Rotore RD/160	Rotor RD/160	1
11	4002130	Rotore RD/185	Rotor RD/185	1
11	4002131	Rotore RD/210	Rotor RD/210	1
12	3131114040	Vite TE M14x40 UNI5738 PF	SCREW M14x40 UNI5738	-
13	4812425	Zappa curva Sx	Left curve blade	-
14	4007345	Rotore RD/135 (PUGLIA)	Rotor RD/135 (PUGLIA)	1
14	4007349	Rotore RD/150 (PUGLIA)	Rotor RD/150 (PUGLIA)	1
14	4007346	Rotore RD/160 (PUGLIA)	Rotor RD/160 (PUGLIA)	1
14	4007347	Rotore RD/185 (PUGLIA)	Rotor RD/185 (PUGLIA)	1
14	4007348	Rotore RD/210 (PUGLIA)	Rotor RD/210 (PUGLIA)	1
15	4812427	Zappa squadra Sx	Left angle blade	-
16	4002167	Rotore lame RD/160	Rotor RD/160	1
16	4002168	Rotore lame RD/185	Rotor RD/185	1
16	4002169	Rotore lame RD/210	Rotor RD/210	1
17	4818195	Coltello 2 fori Sx	Left shaped blade (2 holes)	-
18	4818194	Coltello 2 fori Dx	Right shaped blade (2 holes)	-
19	3635100014	Rosetta grower Ø14 FIAT 10188	Grower Ø14 FIAT 10188	-
20	3414102014	Dado M14 UNI 5587 PF	Nut M14 UNI 5587	-
21	4812428	Zappa squadra Dx	Right angle blade	-
22	4812426	Zappa curva Dx	Right curve blade	-
23	4148030	Coperchio parapolvere esterno	Dust cover	1
24	4708249	Mozzo supporto rotore	Rotor support hub	1
25	6205300	Gruppo GNL JD 5300	Oil seal GNL JD 5300	1
26	4708239	Supporto GNL	Support GNL	1
27	4788219	Guarnizione Supporto Esterno	Gasket	1
28	6800094	Guarnizione O.R. 240	O. ring 240	1
29	2106307	Cuscinetto 6307	Bearing 6307	1
30	4208021	Rondella ferma cuscinetto	Washer	1
31	3062212030	Vite TSEI M12x30 UNI 5933	Screw M12x30 UNI 5933	1
32	3444014	Tappo livello olio M14x1,5	Plug M14x1,5	1
33	6470114	Rondella alluminio Ø14	Washer Ø14	1
34	3021110035	Vite TE M10x35 UNI 5739	Screw M10x35 UNI 5739	4
35	3441014	Tappo olio M14x1,5	Plug M14x1,5	1
36	4708248	Supporto cuscinetto	Bearing support	1
37	4822401	Kit zappe curve RD/110 (4 zappe)	Curve blades kit RD/110 (4 blades)	8
37	4822401	Kit zappe curve RD120•135 (4 zappe)	Curve blades kit RD120•135 (4 blades)	10
37	4822401	Kit zappe curve RD/110 (6 zappe) - RD/150•160 (4 zappe)	Curve blades kit RD/110 (6 blades) - RD/150•160 (4 blades)	12
37	4822401	Kit zappe curve RD/185 (4 zappe)	Curve blades kit RD/185 (4 blades)	14
37	4822401	Kit zappe curve RD/120•135 (4 zappe)	Curve blades kit RD1/20•135 (4 blades)	15
37	4822401	Kit zappe curve RD/210 (4 zappe)	Curve blades kit RD/210 (4 blades)	16
37	4822401	Kit zappe curve RD/150•160 (6 zappe) RD/160 (lame)	Curve blades kit RD/150•160 (6 blades) RD/160 (shaped blades)	18
37	4822401	Kit zappe curve RD/185 (6 zappe)	Curve blades kit RD/185 (6 blades)	21
37	4822401	Kit zappe curve RD/185 (lame)	Curve blades kit RD/185 (shaped blades)	22
37	4822401	Kit zappe curve RD/210 (6 zappe)	Curve blades kit RD/210 (6 blades)	24
37	4822401	Kit zappe curve RD/210 (lame)	Curve blades kit RD/210 (shaped blades)	26
38	4822402	Kit zappe a squadra RD/110 (4 zappe)	Angle blades kit RD/110 (4 blades)	8
38	4822402	Kit zappe a squadra RD120•135 (4 zappe)	Angle blades kit RD120•135 (4 blades)	10

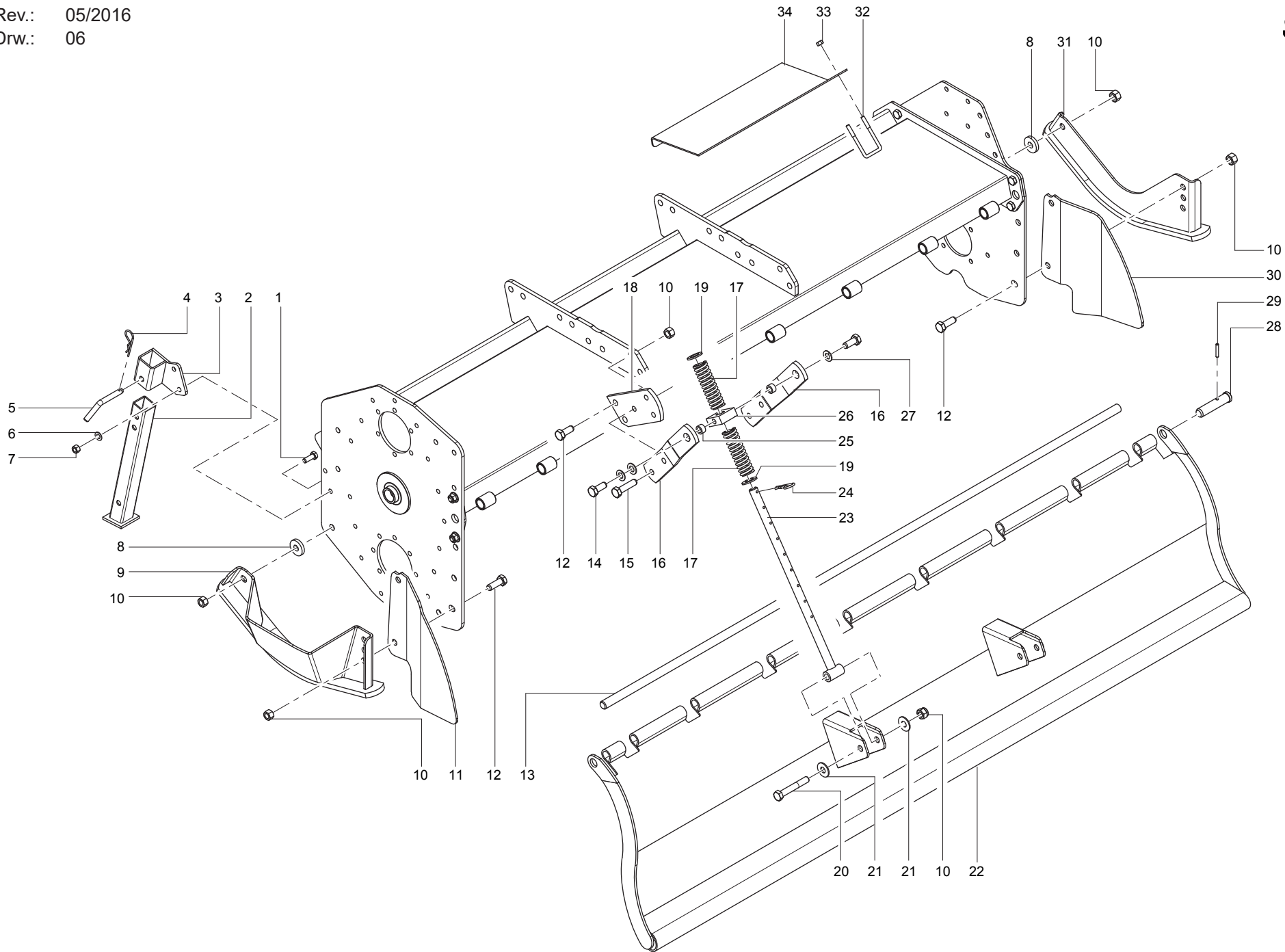
Type: ROTARY TILLER  
 Mod.: RD/110•120•135•150•160•185•210  
 Rev.: 05/2016  
 Tab.: 05



Pag.: 2/2

RIF	COD	DESCRIZIONE	DESCRIPTION	QTY
38	4822402	Kit zappe a squadra RD/110 (6 zappe) - RD/150•160 (4 zappe)	Angle blades kit RD/110 (6 blades) - RD/150•160 (4 blades)	12
38	4822402	Kit zappe a squadra RD/185 (4 zappe)	Angle blades kit RD/185 (4 blades)	14
38	4822402	Kit zappe a squadra RD/120•135 (4 zappe)	Angle blades kit RD/120•135 (4 blades)	15
38	4822402	Kit zappe a squadra RD/210 (4 zappe)	Angle blades kit RD/210 (4 blades)	16
38	4822402	Kit zappe a squadra RD/150•160 (6 zappe) RD/160 (lame)	Angle blades kit RD/150•160 (6 blades) RD/160 (shaped blades)	18
38	4822402	Kit zappe a squadra RD/185 (6 zappe)	Angle blades kit RD/185 (6 blades)	21
38	4822402	Kit zappe a squadra RD/185 (lame)	Angle blades kit RD/185 (shaped blades)	22
38	4822402	Kit zappe a squadra RD/210 (6 zappe)	Angle blades kit RD/210 (6 blades)	24
38	4822402	Kit zappe a squadra RD/210 (lame)	Angle blades kit RD/210 (shaped blades)	26
39	4822403	Kit lame 2 fori RD/160 (lame)	Blade 2 holes kit RD/160 (shaped blades)	18
39	4822403	Kit lame 2 fori RD/185 (lame)	Blade 2 holes kit RD/185 (shaped blades)	22
39	4822403	Kit lame 2 fori RD/210 (lame)	Blade 2 holes kit RD/210 (shaped blades)	26
40	8144000032	Kit 32 bulloni RD/110 (4 zappe)	32 bolts kit RD/110 (4 blades)	1
40	8144000040	Kit 40 bulloni RD/120•135 (4 zappe)	40 bolts kit RD/120•135 (4 blades)	1
40	8144000048	Kit 48 bulloni RD/110 (6 zappe) - RD/150•160 (4 zappe)	48 bolts kit RD/110 (6 blades) - RD/150•160 (4 blades)	1
40	8144000056	Kit 56 bulloni RD/185 (4 zappe)	56 bolts kit RD/185 (4 blades)	1
40	8144000060	Kit 60 bulloni RD/120•135 (6 zappe)	60 bolts kit RD/120•135 (6 blades)	1
40	8144000064	Kit 64 bulloni RD/210 (4 zappe)	60 bolts kit RD/210 (4 blades)	1
40	8144000072	Kit 72 bulloni RD/150•160 (6 zappe) RD/160 (lame)	72 bolts kit RD/150•160 (6 blades) RD/160 (shaped blades)	1
40	8144000084	Kit 84 bulloni RD/185 (6 zappe)	84 bolts kit RD/185 (6 blades)	1
40	8144000088	Kit 88 bulloni RD/185 (lame)	88 bolts kit RD/185 (shaped blades)	1
40	8144000096	Kit 96 bulloni RD/210 (6 zappe)	96 bolts kit RD/210 (6 blades)	1
40	8144000104	Kit 104 bulloni RD/210 (lame)	104 bolts kit RD/210 (shaped blades)	1

Type: ROTARY TILLER  
Mod.: RD/110•120•135•150•160•185•210  
Rev.: 05/2016  
Drw.: 06



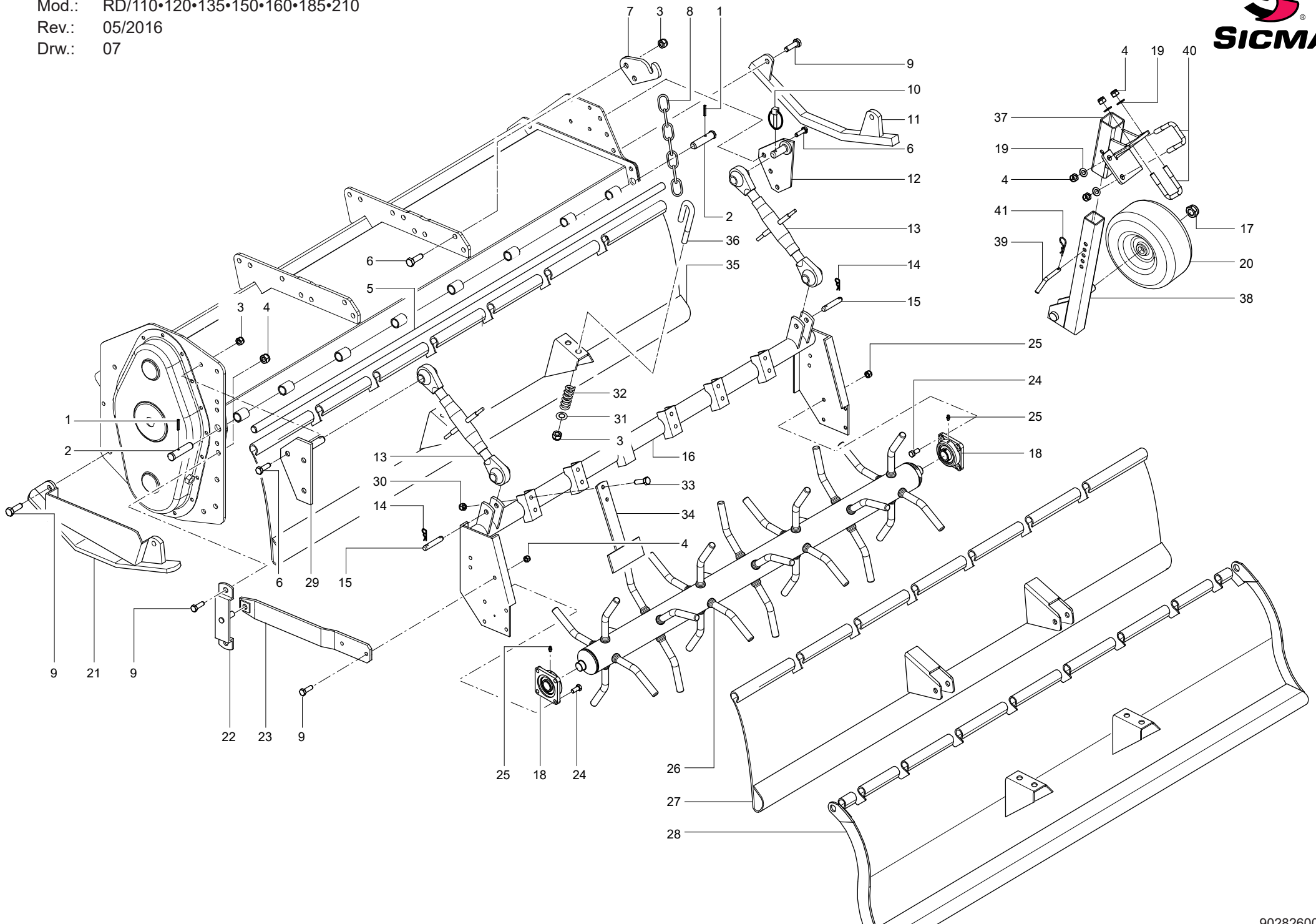
Type: ROTARY TILLER  
 Mod.: RD/110•120•135•150•160•185•210  
 Rev.: 05/2016  
 Tab.: 06



Pag.: 1/1

RIF	COD	DESCRIZIONE	DESCRIPTION	QTY
1	3021110025	Vite TE M10x25 UNI 5739	Screw M10x25 UNI 5739	2
2	4002376	Piedino di appoggio	Stand leg	1
3	4002377	Supporto piedino di appoggio	Stand leg support	1
4	6351003	Copiglia ad "R" Ø3	Cotter pin Ø3	1
5	4236115	Perno bloccaggio piedino	Pin, stand leg adjustment	1
6	3625000010	Rosetta GROW Ø10 UNI 1751	GROW Ø10 UNI 1751	2
7	3464101010	Dado M10 UNI 7473	Nut M10 UNI 7473	2
8	4237904	Distanziale attacco slitta	Skid spacer	2
9	4002232	Slitta Sx	Left skid	1
10	3464101014	Dado M14 UNI 7473	Nut M14 UNI 7473	10
11	4932110	Paraterra laterale Sx	Left earth-guard	1
12	3021114030	Vite TE M14x30 UNI 5739	Screw M14x30 UNI 5739	8
13	4232102	Perno fissaggio coperchio RD/110	Cover pin RD/110	1
13	4232103	Perno fissaggio coperchio RD/120	Cover pin RD/120	1
13	4232104	Perno fissaggio coperchio RD/135	Cover pin RD/135	1
13	4232105	Perno fissaggio coperchio RD/150	Cover pin RD/150	1
13	4232106	Perno fissaggio coperchio RD/160	Cover pin RD/160	1
13	4232109	Perno fissaggio coperchio RD/185	Cover pin RD/185	1
13	4232107	Perno fissaggio coperchio RD/210	Cover pin RD/210	1
14	3021112025	Vite TE M12x25 UNI 5739	Screw M12x25 UNI 5739	2
15	3021112050	Vite TE M12x50 UNI 5739	Screw M12x50 UNI 5739	4
16	4834002	Braccio regolazione coperchio	Arm adjustment	4
17	4214577	Molla asta regolazione coperchio	Adjustment rod spring	4
18	4837701	Staffa ancoraggio asta	Anchor rod bracket	2
19	3604000022	Rosetta piana Ø22 UNI 6592	Washer Ø22 UNI 6592	4
20	3011114090	Vite TE M14x90 UNI 5737	Screw M14x90 UNI 5737	2
21	3604100014	Rosetta piana Ø14 UNI 6592	Washer Ø14 UNI 6592	4
22	4002273	Coperchio posteriore tipo "E" RD/135	Bonnet RD/135	1
22	4002274	Coperchio posteriore tipo "E" RD/150	Bonnet RD/150	1
22	4002275	Coperchio posteriore tipo "E" RD/160	Bonnet RD/160	1
22	4002276	Coperchio posteriore tipo "E" RD/185	Bonnet RD/185	1
22	4002277	Coperchio posteriore tipo "E" RD/210	Bonnet RD/210	1
23	4004030	Asta regolazione coperchio	Cover adjustment rod	2
24	6351004	Copiglia ad "R" Ø4	Cotter pin Ø4	4
25	4534002	Distanziale	Spacer	4
26	4834001	Blocchetto asta	Pole block	2
27	3635000010	Rosetta GROWER Ø10 FIAT10188	Washer GROWER Ø10 FIAT10188	4
28	4232111	Perno laterale coperchio	Pin	2
29	6330636	Spina elastica Ø6x36	Split pin Ø6x36	2
30	4932109	Paraterra laterale Dx	Right earth-guard	1
31	4002233	Slitta esterna protezione	Right skid	1
32	4302003	Cravatta M8	"U" screw M8	4
33	3464101008	Dado M8 UNI 7473	Nut M8 UNI 7473	8
34	4132224	Protezione anteriore RD/110•120	Protective plate RD/110•120	2
34	4132227	Protezione anteriore RD/135	Protective plate RD/135	2
34	4132230	Protezione anteriore RD/150	Protective plate RD/150	2
34	4132232	Protezione anteriore RD/160	Protective plate RD/160	2
34	4132237	Protezione anteriore RD/185	Protective plate RD/185	2
34	4132242	Protezione anteriore RD/210	Protective plate RD/210	2

Type: ROTARY TILLER  
Mod.: RD/110•120•135•150•160•185•210  
Rev.: 05/2016  
Drw.: 07



Type: ROTARY TILLER  
 Mod.: RD/110•120•135•150•160•185•210  
 Rev.: 05/2016  
 Tab.: 07



Pag.: 1/2

RIF	COD	DESCRIZIONE	DESCRIPTION	QTY
1	6330636	Spina elastica Ø6x36	Split pin Ø6x36	2
2	4232112	Perno laterale coperchio	Pin	2
3	3464101012	Dado M12 UNI 7473 RD/110•120•135•150•160	Nut M12 UNI 7473 RD/110•120•135•150•160	9
3	3464101012	Dado M12 UNI 7473 RD/185•210	Nut M12 UNI 7473 RD/185•210	12
4	3464101014	Dado M14 UNI7473	Nut M14 UNI7473	12
5	4232102	Perno fissaggio coperchio RD/110	Cover pin RD/110	1
5	4232103	Perno fissaggio coperchio RD/120	Cover pin RD/120	1
5	4232104	Perno fissaggio coperchio RD/135	Cover pin RD/135	1
5	4232105	Perno fissaggio coperchio RD/150	Cover pin RD/150	1
5	4232106	Perno fissaggio coperchio RD/160	Cover pin RD/160	1
5	4232109	Perno fissaggio coperchio RD/185	Cover pin RD/185	1
5	4232107	Perno fissaggio coperchio RD/210	Cover pin RD/210	1
6	3021112035	Vite TE M12x35 UNI 5739 RD/110•120•135•150•160	Screw M12x35 UNI 5739 RD/110•120•135•150•160	8
6	3021112035	Vite TE M12x35 UNI 5739 RD/185•210	Screw M12x35 UNI 5739 RD/185•210	10
7	4932106	Gancio per molla coperchio RD/110•120•135•150•160	Hook RD/110•120•135•150•160	1
7	4932106	Gancio per molla coperchio RD/185•210	Hook RD/185•210	2
8	4674003	Catena coperchio RD/110•120•135•150•160	Chain RD/110•120•135•150•160	1
8	4674003	Catena coperchio RD/185•210	Chain RD/185•210	2
9	3021114035	Vite TE M14x35 UNI 5739	Screw TE M14x35 UNI 5739	12
10	6350010	Spina a scatto Ø10	Release pin Ø10	2
11	4002126	Protezione fiancata esterna	Lateral protection	1
12	4002104	Piastra tirante Dx	Plate	1
13	4007612	Braccio TP	Arm TP	2
14	6351004	Coppiglia ad "R" Ø4	Split pin Ø4	4
15	4304003	Perno tirante	Pin	2
16	4007607	Telaio per rullo RD/160	Frame RD/160	1
16	4007609	Telaio per rullo RD/185	Frame RD/185	1
16	4007610	Telaio per rullo RD/210	Frame RD/210	1
17	3464102024	Dado M24 UNI 7473	Nut M24 UNI 7473	2
18	2000035	Supporto UCF/207	UCF/207 support	2
19	3604100014	Rosetta piana Ø14 UNI 6592	Washer Ø14 UNI 6592	8
20	6610280	Ruota + perno 280x120	Wheel 280x120	2
21	4002125	Protezione carter	Carter protection	1
22	4007616	Staffa fissaggio rullo	Bracket roller	2
23	4002134	Braccio laterale	Lateral arm	2
24	3021114040	Vite TE M14x40 UNI 5739	Screw M14x40 UNI 5739	8
25	6560006	Ingrassino dritto M6	Grease nipple M6	2
26	4007693	Rullo a spuntoni RD/160	Roller RD/160	1
26	4007695	Rullo a spuntoni RD/185	Roller RD/185	1
26	4007696	Rullo a spuntoni RD/210	Roller RD/210	1
27	4002176	Coperchio corto tipo "C" RD/160	Cover RD/160	1
27	4002177	Coperchio corto tipo "C" RD/185	Cover RD/185	1
27	4002178	Coperchio corto tipo "C" RD/210	Cover RD/210	1
28	4002554	Coperchio lungo tipo "A" RD/110	Cover RD/110	1
28	4002555	Coperchio lungo tipo "A" RD/120	Cover RD/120	1
28	4002556	Coperchio lungo tipo "A" RD/135	Cover RD/135	1
28	4002557	Coperchio lungo tipo "A" RD/150	Cover RD/150	1
28	4002558	Coperchio lungo tipo "A" RD/160	Cover RD/160	1
28	4002123	Coperchio lungo tipo "A" RD/185	Cover RD/185	1
28	4002124	Coperchio lungo tipo "A" RD/210	Cover RD/210	1
29	4007602	Piastra attacco snodo Sx	Plate	1
30	3414101012	Dado M12 UNI 5587 RD/160	Nut M12 UNI 5587D/160	10
30	3414101012	Dado M12 UNI 5587 RD/185	Nut M12 UNI 5587 RD/185	12
30	3414101012	Dado M12 UNI 5587 RD/210	Nut M12 UNI 5587 RD/210	14
31	3604000012	Rosetta piana Ø12 UNI 6592 RD/110•120•135•150•160	Washer Ø12 UNI 6592 RD/210 RD/110•120•135•150•160	1
31	3604000012	Rosetta piana Ø12 UNI 6592 RD/185•210	Washer Ø12 UNI 6592 RD/185•210	2
32	4212214	Molla ammortizzatore RD/110•120•135•150•160	Spring RD/110•120•135•150•160	1
32	4212214	Molla ammortizzatore RD/185•210	Spring RD/185•210	2
33	3021112030	Vite TE M12x30 UNI 5739 RD/160	Screw M12x30 UNI 5739 RD/160	10
33	3021112030	Vite TE M12x30 UNI 5739 RD/185	Screw M12x30 UNI 5739 RD/185	12
33	3021112030	Vite TE M12x30 UNI 5739 RD/210	Screw M12x30 UNI 5739 RD/210	14

Type: ROTARY TILLER  
 Mod.: RD/110•120•135•150•160•185•210  
 Rev.: 05/2016  
 Tab.: 07



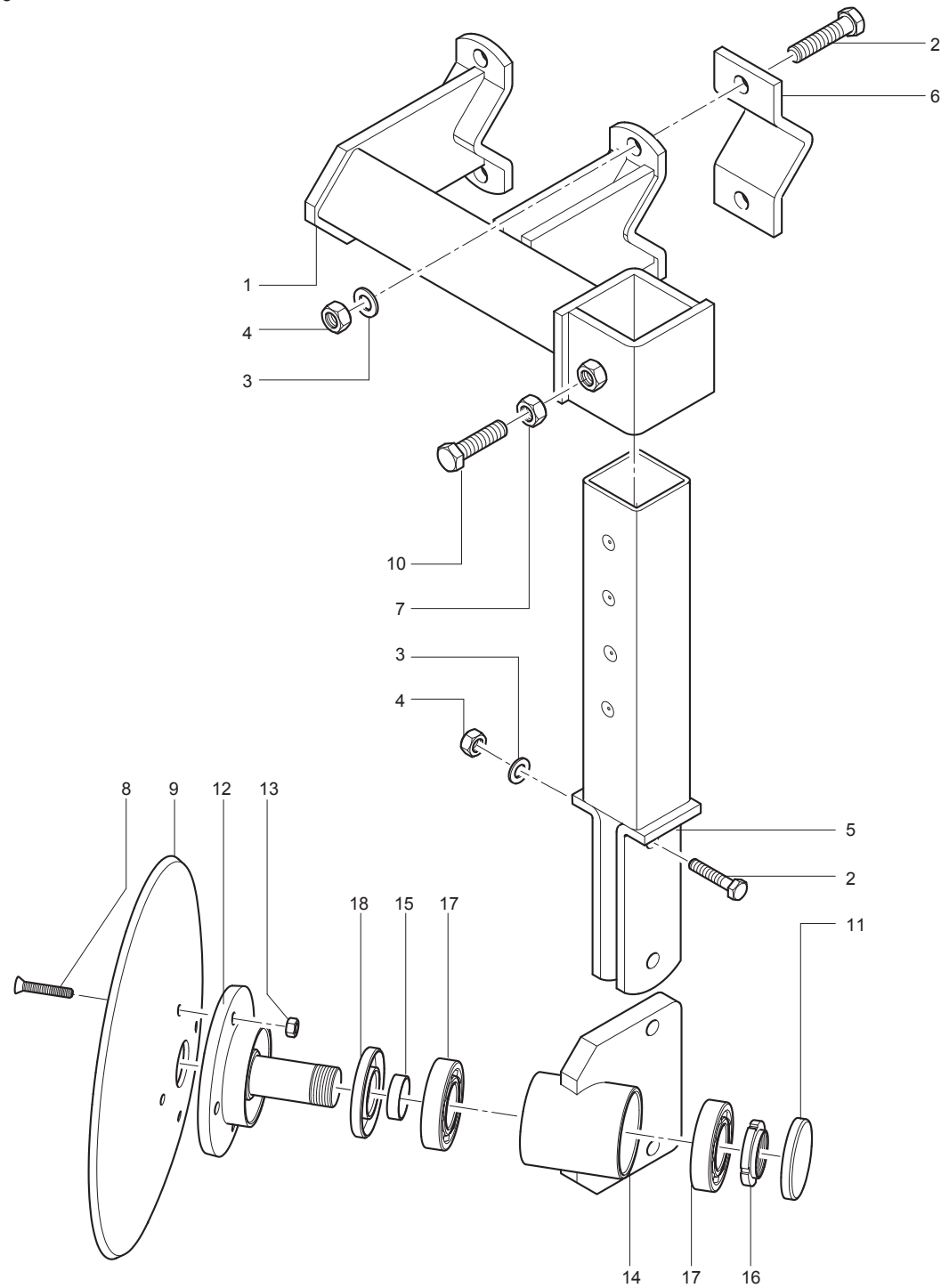
Pag.: 2/2

RIF	COD	DESCRIZIONE	DESCRIPTION	QTY
34	4007615	Raschiarullo RD/160	Scraper RD/160	5
34	4007615	Raschiarullo RD/185	Scraper RD/185	6
34	4007615	Raschiarullo RD/210	Scraper RD/210	7
35	4002561	Coperchio corto tipo "B" RD/160	Cover RD/160	1
35	4002158	Coperchio corto tipo "B" RD/185	Cover RD/185	1
35	4002159	Coperchio corto tipo "B" RD/210	Cover RD/210	1
36	4302183	Gancio per catena	Hook	2
37	4002225	Supporto braccio ruota	Support	2
38	4007854	Supporto ruotino Dx	Arm support (Rh)	1
38	4007855	Supporto ruotino Sx	Arm support (Lh)	1
39	4236115	Perno bloccaggi piedino	Pin	2
40	4307802	Cravatta per quadro 60	"U" screw	4
41	6351003	Coppiglia ad "R" Ø3	Cotter pin Ø3	2

Rev. 05 - 13/12/2016  
 RAT: 6728

Sostituzione supporti rullo		Replacing roller supports			
Rif.		Descrizione	Description	Code	
Old	New			Old	New
#17		GNL 4200 (rimosso)	GNL 4200 (removed)		
#18		Supporto cuscinetto	Bering support	4705001	
	#18	Supporto UCF/207	UCF/207 support		2000035
#19		Seeger interno Ø72 (rimosso)	Internal seeger Ø72 (removed)	6310072	
#20		Cuscinetto 6207 (rimosso)	Bering 6207 (removed)	2106207	
#24		Vite TE M14x30 UNI 5739	Screw M14x30 UNI 5739	3021114030	
	#24	Vite TE M14x40 UNI 5739	Screw M14x40 UNI 5739		3021114040
#25		Ingrassino dritto M10	Grease nipple M10	6560010	
	#25	Ingrassino dritto M6	Grease nipple M6		6560006
#26	#26	Rullo a spuntoni RD/160	Roller RD/160	4007633	4007693
#26	#26	Rullo a spuntoni RD/185	Roller RD/185	4007635	4007695
#26	#26	Rullo a spuntoni RD/210	Roller RD/210	4007636	4007696

Type: ROTARY TILLER  
Mod.: RD/110•120•135•150•160•185•210  
Rev.: 05/2016  
Drw.: 08

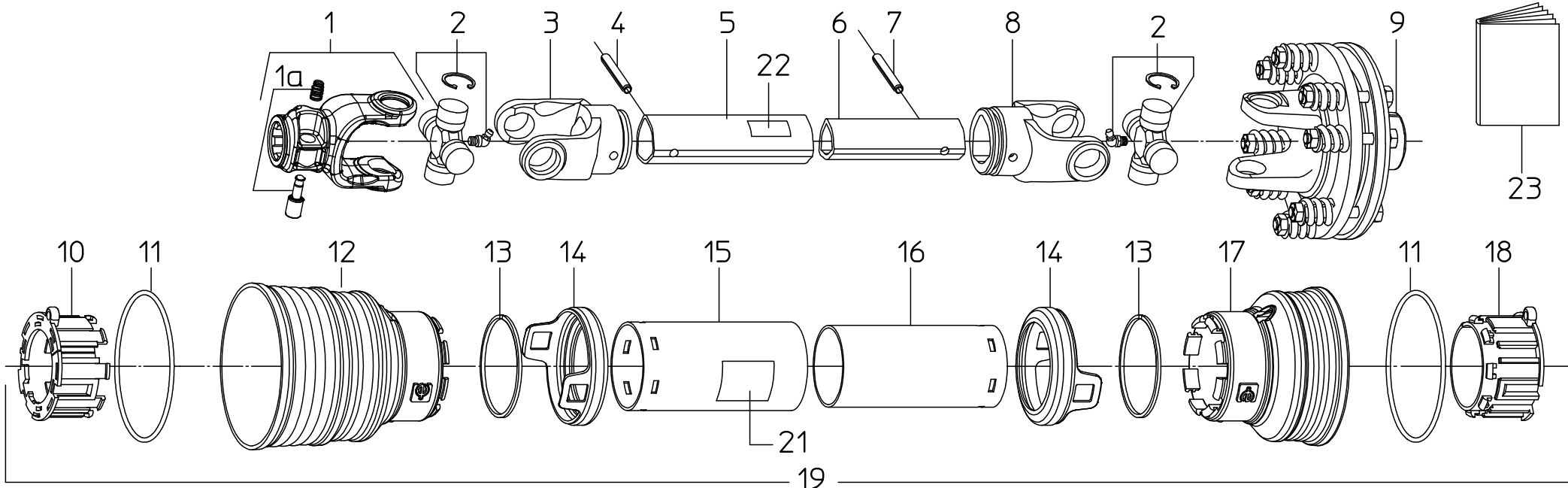


Type: ROTARY TILLER  
Mod.: RD/110•120•135•150•160•185•210  
Rev.: 05/2016  
Tab.: 08



Pag.: 1/1

RIF	COD	DESCRIZIONE	DESCRIPTION	QTY
1	4002228	Supporto disco frangizolle	Clod smasher disk support	1
2	3031114060	Vite TE M14x60 PF UNI 5738	Screw M14x60 (fine pitch) UNI 5738	4
3	3625000014	Rondella grower Ø14 UNI 1751	Washer Ø14 UNI 1751	4
4	3414102014	Dado M14 PF UNI 5587	Nut M14 (fine pitch) UNI 5587	4
5	4004191	Sostegno disco frangizolle	Clod smasher disk support	1
6	4302257	Piastra a V per supporto	V plate for support	2
7	3414101014	Dado M14 UNI 5587	Nut M14 UNI 5587	1
8	3062210030	Vite TSEI M10x30 UNI 5933	Screw TSEI M10x30 UNI 5933	4
9	4114001	Disco laterale frangizolle	Clod-smasher side disk	1
10	3021114050	Vite M14x50 UNI 5739	Screw M14x50 UNI 5739	1
11	6100072	Cappello di chiusura Ø72	Block cover Ø72	1
12	4004177	Mozzo sostegno disco	Disk support hub	1
13	3464101010	Dado autobloccante M10 alto	Stop nut M10	4
14	4004176	Supporto disco	Disk support	1
15	4534006	Distanziale supporto	Support spacer	1
16	34126035	Ghiera autobloccante Ø35 bassa	Self locking metal ring Ø35	1
17	2730207	Cuscinetto 30207	Bearing 30207	2
18	6204572	Paraolio Ø45xØ72x10	Pp oil seal dØ45xØ72x10	1

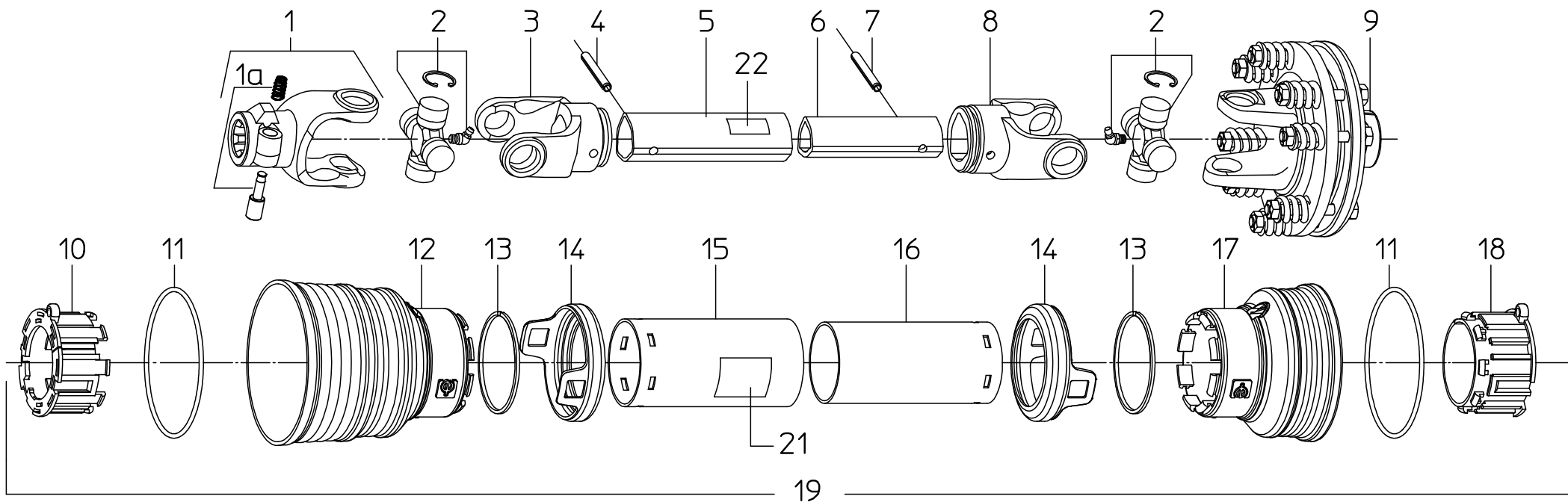


14	2	SAFETY SLEEVE	1885709				
13	2	STOP RING	1215735				
12	1	STANDARD CONE	1785703	27			
11	2	STIFFENING RING	1215733	26			
10	1	TUBE BEARING (outer tube)	1786710	25			
9	1	TORQUE LIMITER, FD1	1346018	24			
8	1	INNER TUBE YOKE	1706029	23	1	USER MANUAL	1140957
7	1	10x70 1485DIN ROLL PIN (inner tube)	6331070	22	1	INNER DECAL	1140011
6	1	INNER TUBE	1526040	21	1	OUTER DECAL	1140010
5	1	OUTER TUBE	1528040	20	2	ANTIROTATION CHAIN	1006065
4	1	10x80 1485DIN ROLL PIN (outer tube)	6331080	19	1	COMPLETE PROTECTION	90SC6030
3	1	OUTER TUBE YOKE	1706027	18	1	TUBE BEARING (inner tube)	1786711
2	2	CROSS ASSEMBLY	1006020	17	1	SHORT CONE	1785702
1a	1	PUSH PIN KIT	1581038	16	1	INNER TUBE SHIELD	1877030
1	1	YOKE ASSEMBLY (TRACTOR END)	1026010	15	1	OUTER TUBE SHIELD	1776030

DET.	QTY	DESCRIPTION	CODE	DET.	QTY	DESCRIPTION	CODE
------	-----	-------------	------	------	-----	-------------	------


customer:	SICMA	customer part no.:		drawn:	D. BASTI	date:	21/05/2007
note:		weight [kg/lb]:	---/---	scale:	no A4	rev.:	—
title:	SPARE PARTS LAY-OUT			part no.:		8201605	
rev.	description	name	date	c.da Saletti 66041 Atesa (CH) - Italy			
				AX6 570/847 1026010-1346018 CE SC			

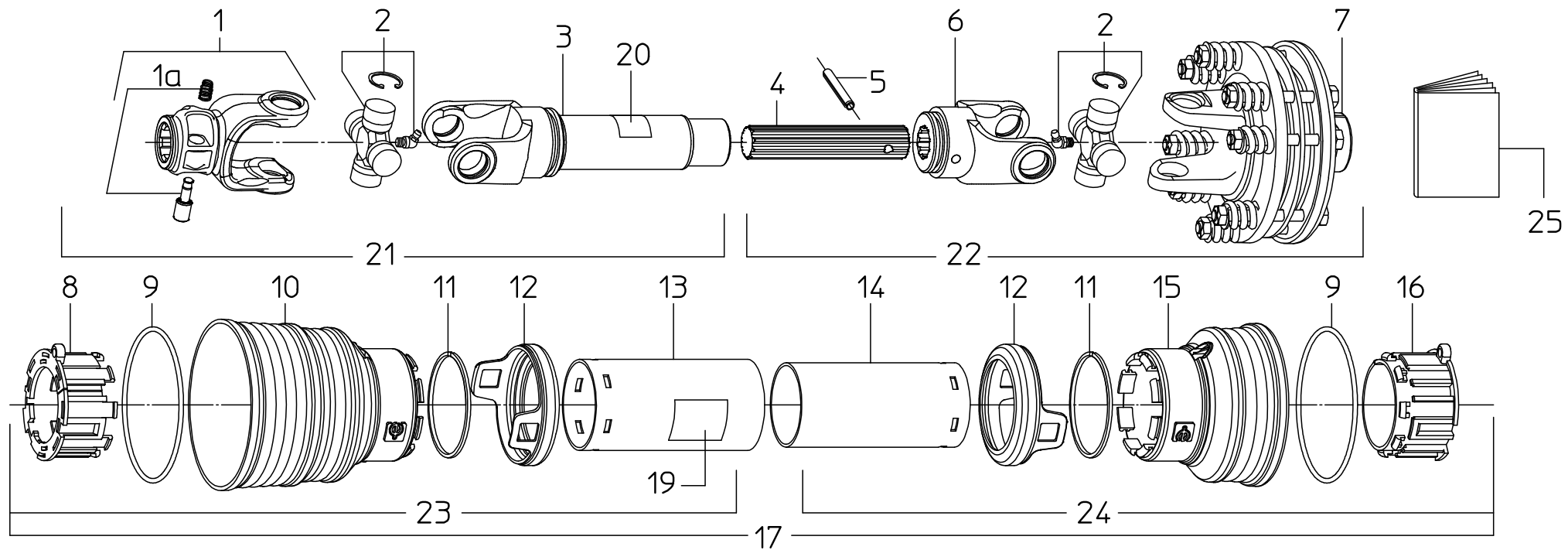




14	2	SAFETY SLEEVE	1885709				
13	2	STOP RING	1215735				
12	1	STANDARD CONE	1785703	27			
11	2	STIFFENING RING	1215733	26			
10	1	TUBE BEARING (outer tube)	1786710	25			
9	1	TORQUE LIMITER, 2 FRICTION DISCS ( FD1 )	1346018	24			
8	1	INNER TUBE YOKE	1706029	23			
7	1	10x70 1485DIN ROLL PIN (inner tube)	6331070	22	1	INNER DECAL	1140003
6	1	INNER TUBE	1526040	21	1	OUTER DECAL	1140001
5	1	OUTER TUBE	1528040	20	2	ANTIROTATION CHAIN	1006065
4	1	10x80 1485DIN ROLL PIN (outer tube)	6331080	19	1	COMPLETE PROTECTION	90SC6030
3	1	OUTER TUBE YOKE	1706027	18	1	TUBE BEARING (inner tube)	1786711
2	2	CROSS ASSEMBLY	1006020	17	1	SHORT CONE	1785702
1a	1	PUSH PIN KIT	1581038	16	1	INNER TUBE SHIELD	1877030
1	1	YOKE ASSEMBLY (TRACTOR END)	1026010	15	1	OUTER TUBE SHIELD	1776030

DET.	QTY	DESCRIPTION	CODE	DET.	QTY	DESCRIPTION	CODE
rev.		description	name date				

customer:	customer part no.:		drawn: D. BASTI	date: 15/04/2005
note:	weight [kg/lb]: ---/---		scale: no	rev.: -
title: <b>SPARE PARTS LAY-OUT</b>			part no.:	
AX6 570/847 1026010-1346018 CP SC		c.da Saletti 66041 Atesa (CH) - Italy		<b>8201635</b>



14	1	INNER TUBE SHIELD	1877019				
13	1	OUTER TUBE SHIELD	1776019				
12	2	SAFETY SLEEVE	1885709				
11	2	STOP RING	1215735				
10	1	STANDARD CONE	1785703	25	1	USER'S MANUAL	1140957
9	2	STIFFENING RING	1215733	24	1	HALF INNER PROTECTION	90XC6019
8	1	TUBE BEARING (outer tube)	1786710	23	1	HALF OUTER PROTECTION	90SX6019
7	1	TORQUE LIMITER, 2 FRICTION DISCS (FD 1)	1346018	22	1	HALF INNER SHAFT	3401612
6	1	INNER TUBE YOKE	1706013	21	1	HALF OUTER SHAFT	2401612
5	1	10x70 1485DIN ROLL PIN	6331070	20	1	INNER "CE" DECAL	1140011
4	1	SPLINED SHAFT (CUNA 35)	1305033	19	1	OUTER "CE" DECAL	1140010
3	1	OUTER TUBE ASSEMBLY	1966020N	18	2	ANTIROTATION CHAIN	1006065
2	2	CROSS ASSEMBLY	1006020	17	1	COMPLETE PROTECTION	90SC6019
1a	1	PUSH PIN KIT	1581037	16	1	TUBE BEARING (inner tube)	1786711
1	1	YOKE ASSEMBLY (TRACTOR END)	1026010	15	1	SHORT CONE	1785702

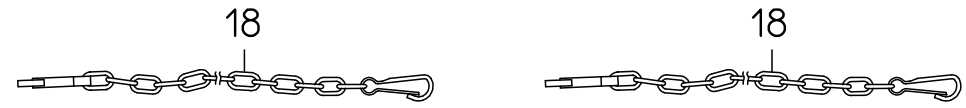
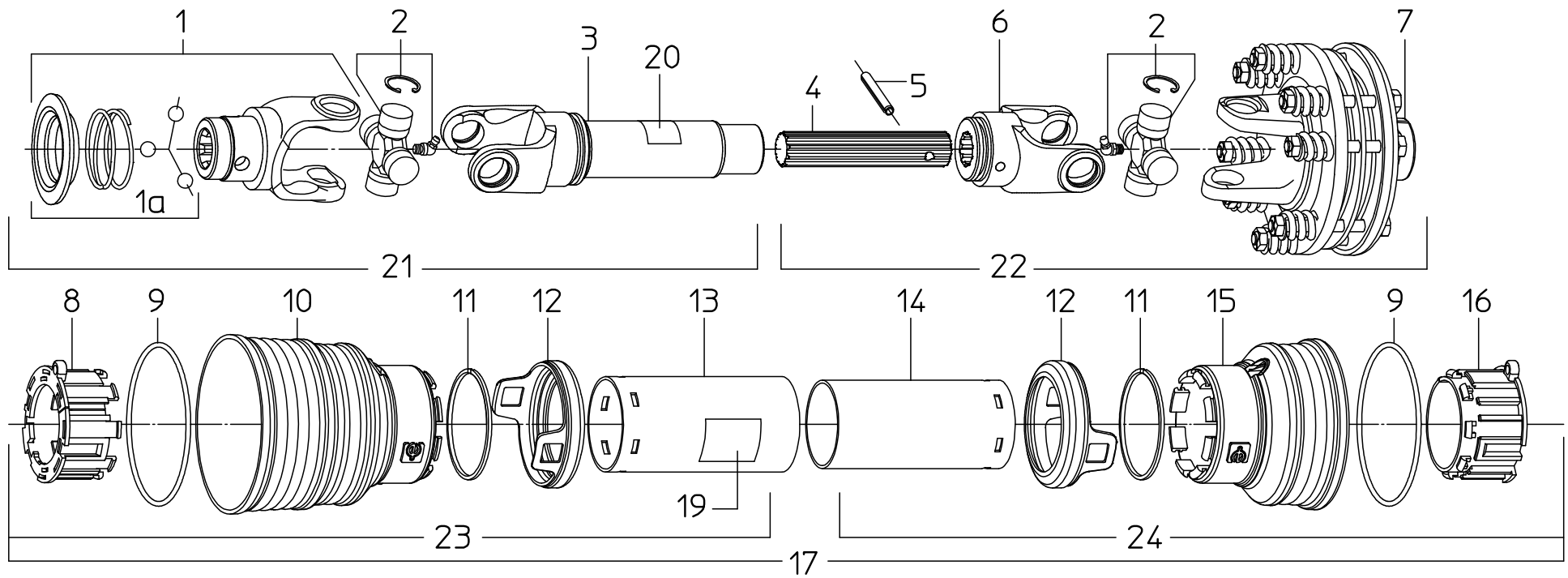
DET.	QTY	DESCRIPTION	CODE	DET.	QTY	DESCRIPTION	CODE
rev.		description	name date				

customer: \_\_\_\_\_ customer part no.: \_\_\_\_\_  
 note: \_\_\_\_\_ weight [kg/lb]: ---/---  
 title: **SPARE PARTS LAY OUT**  
**BX6 460/729 1026010-1346018 CE SC**




c.da Saletti 66041 Atesa (CH) - Italy

drawn: D. BASTI date: 09/05/2006  
 scale: no rev.: -  
 part no.: **8401612**



14	1	INNER TUBE SHIELD	1877026				
13	1	OUTER TUBE SHIELD	1776026				
12	2	SAFETY SLEEVE	1885709				
11	2	STOP RING	1215735	22+24	1	HALF INNER SHAFT ASSEMBLY (implement end)	5418607
10	1	STANDARD CONE	1785703	21+23	1	HALF OUTER SHAFT ASSEMBLY (tractor end)	4418607
9	2	STIFFENING RING	1215733	24	1	HALF INNER PROTECTION	90XC6026
8	1	TUBE BEARING (outer tube)	1786710	23	1	HALF OUTER PROTECTION	90SX6026
7	1	YOKE ASSEMBLY (IMPLEMENT END)	1386018	22	1	HALF INNER SHAFT	3418607
6	1	INNER TUBE YOKE	1706013	21	1	HALF OUTER SHAFT	2418607
5	1	10x70 1485DIN ROLL PIN	6331070	20	1	INNER DECAL	1140003
4	1	SPLINED SHAFT (CUNA 35)	1305040	19	1	OUTER DECAL	1140001
3	1	OUTER TUBE ASSEMBLY	1966027N	18	2	ANTIROTATION CHAIN	1006065
2	2	CROSS ASSEMBLY	1006020	17	1	COMPLETE PROTECTION	90SC6026
1a	1	PULL COLLAR KIT EVOLUTION	1004227	16	1	TUBE BEARING (inner tube)	1786711
1	1	YOKE ASSEMBLY (TRACTOR END)	1016013	15	1	SHORT CONE	1785702

DET.	QTY	DESCRIPTION	CODE	DET.	QTY	DESCRIPTION	CODE
------	-----	-------------	------	------	-----	-------------	------

B	Aggiunti codici semialberi (Half shaft part# added)	D.B. 06/12/05	customer: SICMA	customer part no.:		drawn: D. BASTI	date: 20/09/2004
A	Forcella lato trattore (tractor end yoke) 1016013 era (was) 1016010	D.B. 20/09/04	note:	weight [kg/lb]: ---/---		scale: no	rev.: B
rev.	description	name date	title: SPARE PARTS LAY OUT			part no.:	8418607

BX6 530/802 1016013-1386018 CP SC

c.da Saletti 66041 Atesa (CH) - Italy