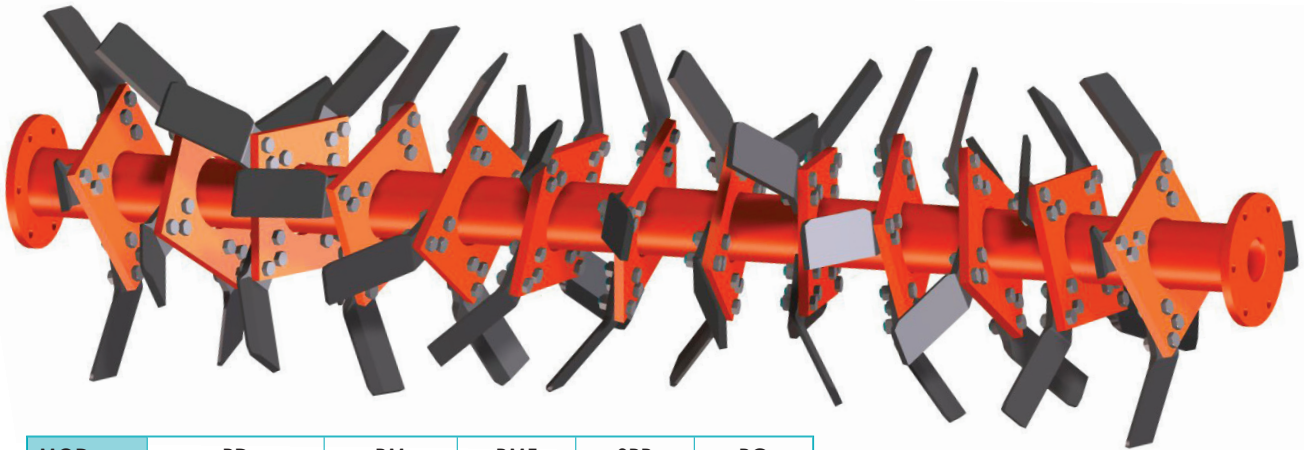


ROTOR WITH BLADES



MOD.	RD	RM	RMF	SPR	RG
------	----	----	-----	-----	----

BLADE ROTOR WITH 1-BOLT FIXING



MOD.	RG	RX	RW
------	----	----	----



STRAIGHT BLADE

HARD AND WET SOILS

MOD.	RG - RX - RW
------	--------------

KIT CODE	4824004
----------	---------

ROTOR WITH TEETH

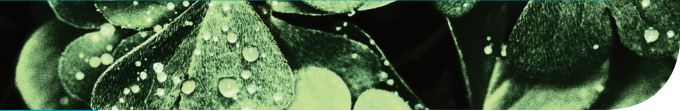


TOOTH

STONY AND HARD SOILS



MOD.	RG
COD.	4844006



PAIR OF CONVEYOR DISCS

They are positioned in front of the rotary tiller near the side skids; the discs open a furrow in the ground thus facilitating greater working depth

Available on

RD	RM	SPR
RG	RX	RW

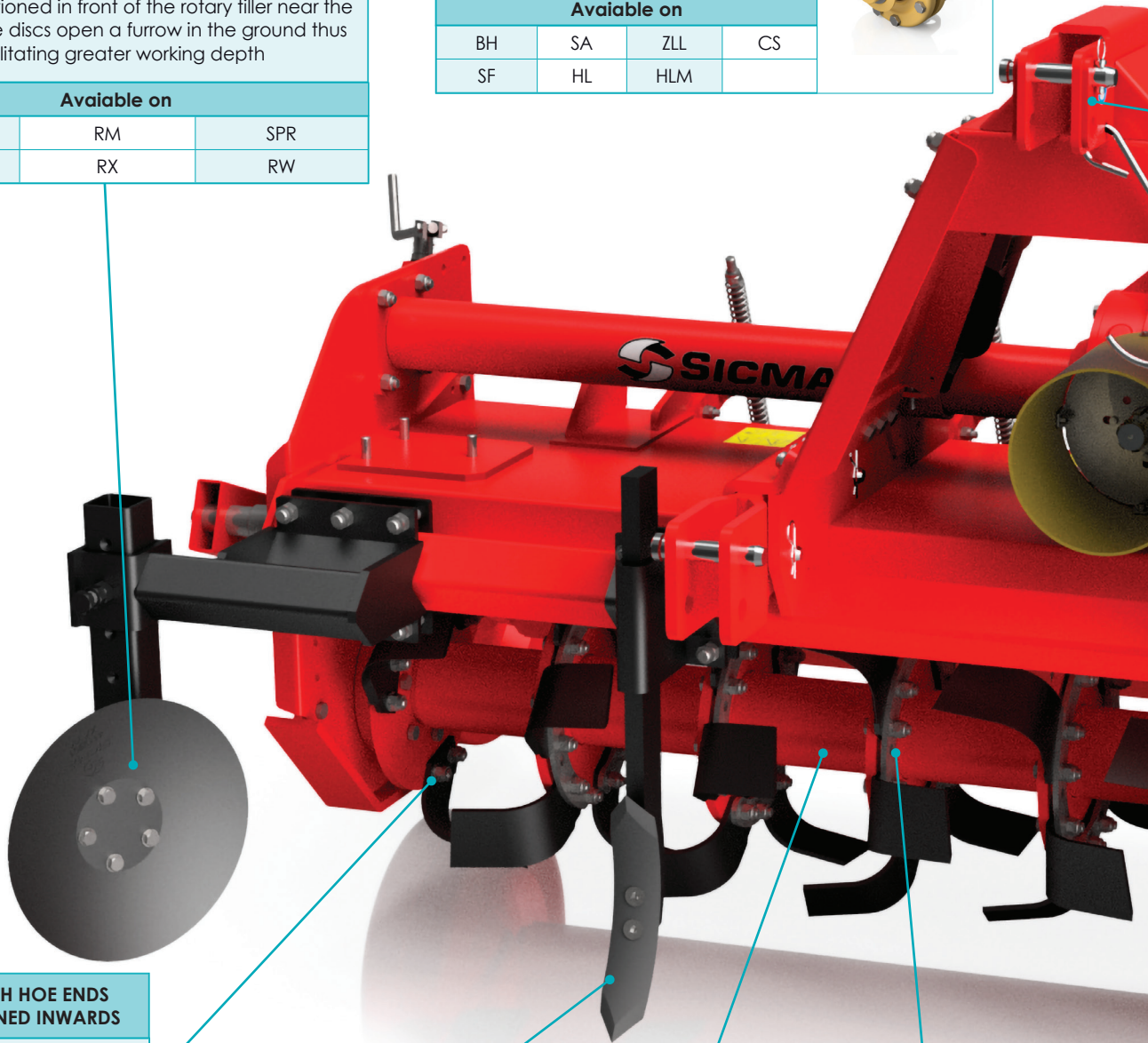
FLEXIBLE CLUTCH

In case of sudden absorption of power there are two discs that slide, thereby redistributing the forces



Available on

BH	SA	ZLL	CS
SF	HL	HLM	



ROTOR WITH HOE ENDS BLADES TURNED INWARDS

They protect the superficial roots of plantations

Available on

SD	RMF	RG
----	-----	----

TRACK ERADICATORS

They are anchors that are fitted in the front of the rotary tiller to remove the hardened soil from the tractor passage

Available on

RG	RX	RW
----	----	----

LEFTWARD ROTATION

For tractors with left rotation direction

Available on

SA	ZLL
----	-----

COUNTER FLANGES

They are suitable for working hard or stony soils


Available on

SPR	RG	RX
-----	----	----



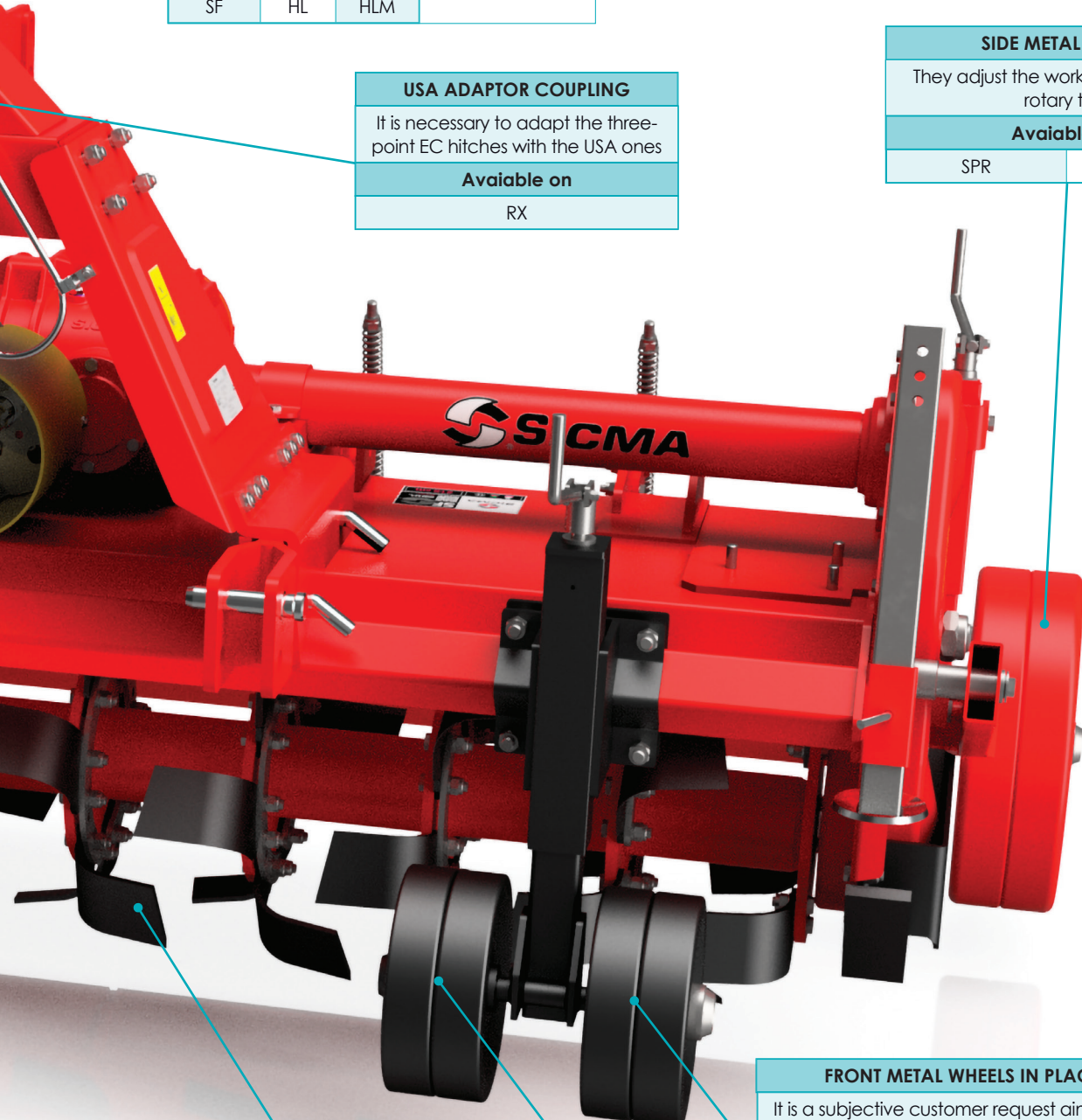


SHEAR BOLT TORQUE LIMITER		
A safety bolt breaks if power is unintentionally absorbed		
Available on		
BH	SA	ZLL
SF	HL	HLM



USA ADAPTOR COUPLING
It is necessary to adapt the three-point EC hitches with the USA ones
Available on
RX

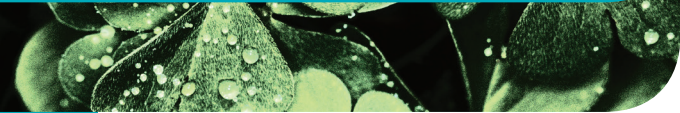
SIDE METAL WHEELS	
They adjust the working depth of the rotary tiller	
Available on	
SPR	RG



FRONT METAL WHEELS IN PLACE OF SKIDS			
It is a subjective customer request aimed at not leaving a furrow on the skid ground			
Available on			
CS	RD	RM	RMF
HL	HLM	SH	SHM

FRONT METAL WHEELS IN PLACE OF SKIDS			
They adjust the rotary tiller working depth			
Available on			
SPR	RG	RX	RW

HOE HTITE®			
Available on			
SPR	RG	RX	RW



1000 rpm PTO CONFIGURATION

A pair of gears is fitted in the gearbox and allows the tiller to be connected to a tractor whose PTO is at 1,000 rpm

Available on

RG	RX
----	----

BAD SHAPER

Available on

RC	RD	RM
SPR	RG	



SIDE CARTER PROTECTION

Available on

RW

HYDRAULIC CYLINDER FOR ROLLER ADJUSTMENT

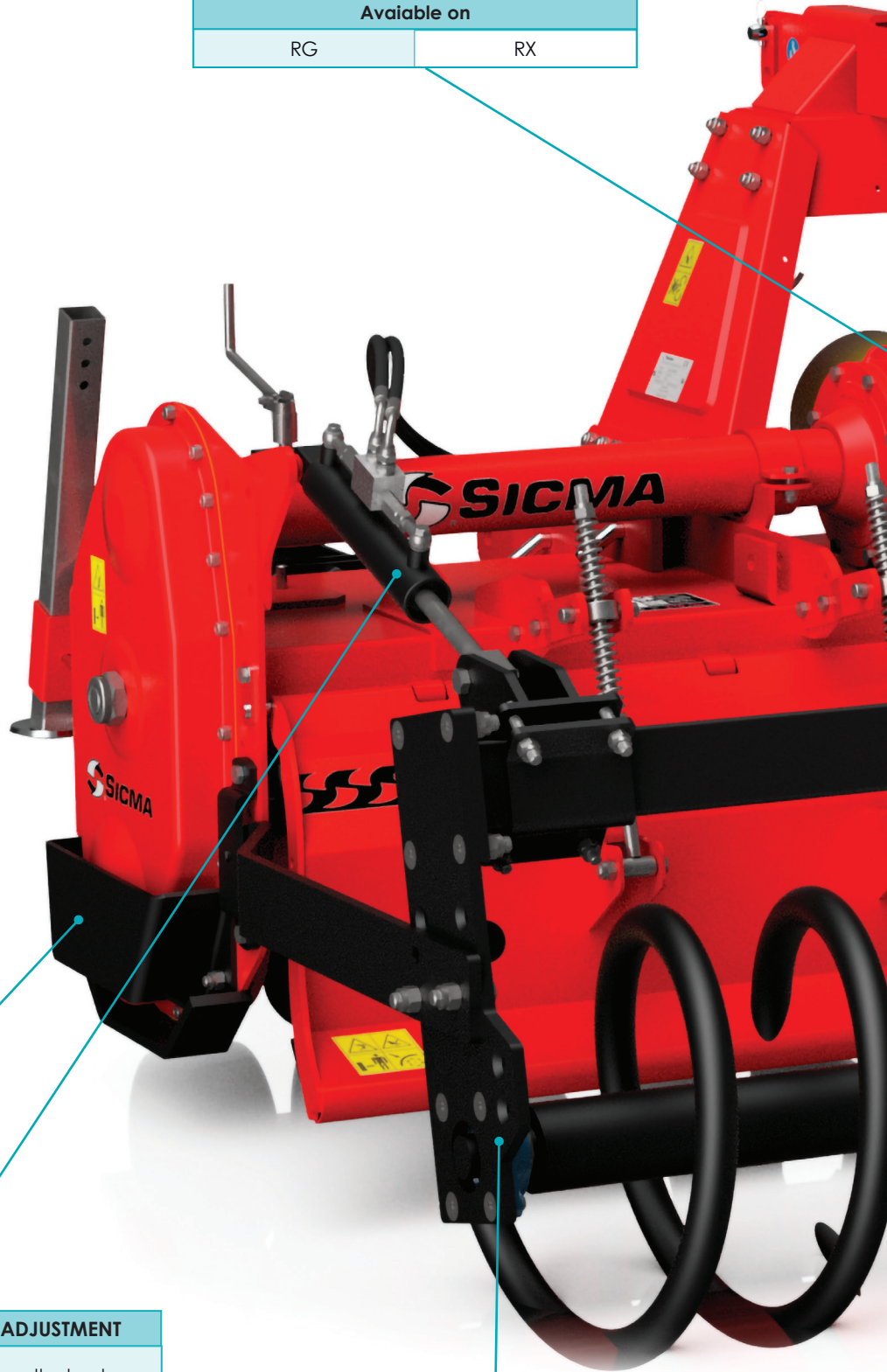
It adjusts the roller work depth directly from the tractor

Available on

SPR	RG	RX	RW
-----	----	----	----

REAR ROLLER

PP. 14-15-16-17



HYDRAULIC HITCH FOR SEED DRILL

Parallelogram moved by two jacks that allows the lifting of the seeder unit fitted behind the tiller

Available on

RG	RX
----	----



BOX WITHOUT SPEED CHANGE

Useful when the 4 speeds are not necessary

Available on

RD	RM
----	----

 **SICMA**

REAR LEVELLING BLADE

Blade located between the rotary tiller and the spiked/cage/spiral/packer roller. Its function is to level the ground

Available on

RG

TAIL DOOR SPRINGS

They are used to press the cover firmly on the ground to achieve greater soil levelling

Available on

CS	RC	RD	RM
RMF	SPR	RG	

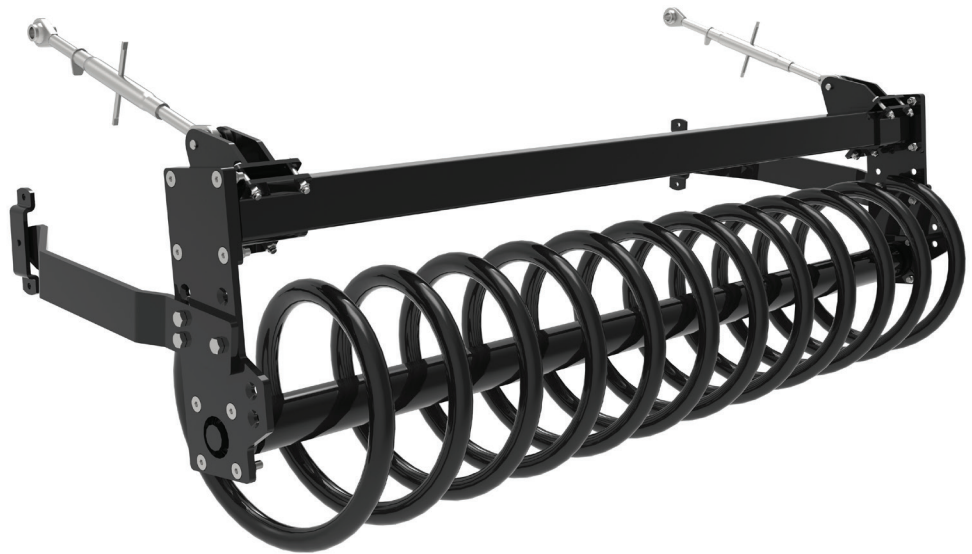
ROLLERS SUITABLE FOR SICMA TILLERS



THE SPIRAL, PACKER, CAGE AND SMOOTH ROLLERS ARE 6 CM LARGER THAN THE MACHINE ON BOTH SIDES (6 CM LEFT + 6 CM RIGHT)

SPIRAL ROLLER

SUITABLE FOR DRY, MEDIUM MOISTURE SOILS WITH SMALL-SIZED STONES



MOD.	∅ mm (in)	kg (lbs)
SPR 185	500 (20")	235 (518)
SPR 210	500 (20")	355 (562)
SPR 235	500 (20")	390 (639)
SPR 260	500 (20")	330 (728)

MOD.	∅ mm (in)	kg (lbs)
RG 230	500 (20")	290 (639)
RG 255	500 (20")	320 (705)
RG 280	500 (20")	350 (771)
RG 305	500 (20")	380 (838)

RX 275	500 (20")	320 (705)
RX 310	500 (20")	340 (749)
RX 360	500 (20")	410 (903)
RX 410	500 (20")	480 (1058)

MOD.	∅ mm (in)	kg (lbs)
RW 420	500 (19")	850 (1874)
RW 470	500 (19")	950 (2094)
RW 520	500 (19")	1050 (2315)
RW 570	500 (19")	1150 (2535)
RW 620	500 (19")	1320 (2910)



ACCESSORIES HYDRAULIC CYLINDER FOR ROLLER ADJUSTMENT

It adjusts the roller work depth directly from the tractor

Available on

SPR

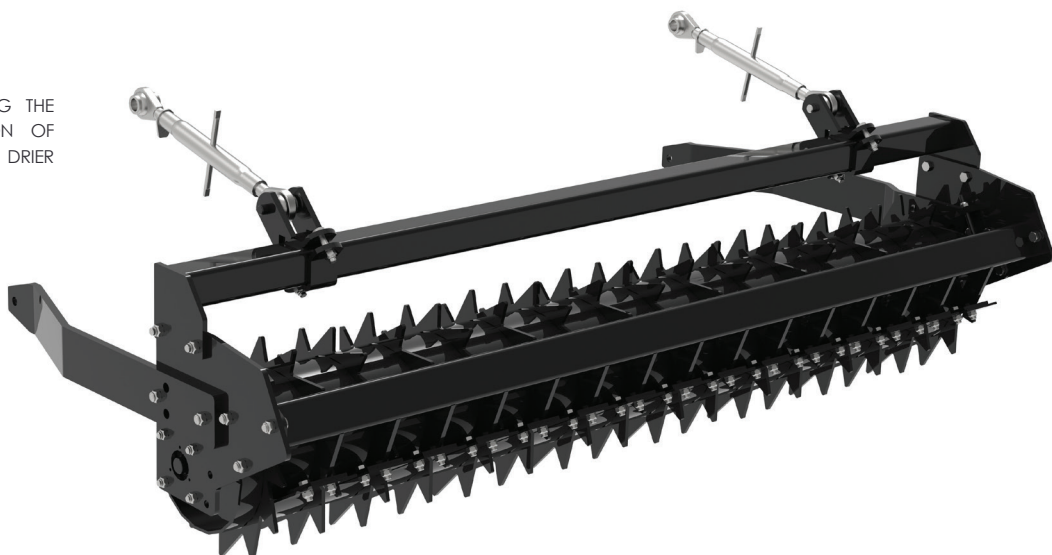
RG

RX

RW

PACKER ROLLER

RECOMMENDED FOR RECOMPACTING THE SURFACE, TO PREVENT EVAPORATION OF SOIL MOISTURE DURING WARMER AND DRIER PERIODS.



MOD.	∅ mm (in)	kg (lbs)
RM 135	400 (16")	200 (440)
RM 150	400 (16")	210 (462)
RM 160	400 (16")	225 (496)
RM 170	400 (16")	240 (529)
RM 185	400 (16")	265 (584)
RM 210	400 (16")	285 (628)
RM 235	400 (16")	310 (683)

MOD.	∅ mm (in)	kg (lbs)
SPR 185	550 (21")	280 (617)
SPR 210	550 (21")	310 (683)
SPR 235	550 (21")	350 (772)
SPR 260	550 (21")	390 (860)
RG 230	550 (21")	330 (727)
RG 255	550 (21")	370 (816)
RG 280	550 (21")	410 (904)
RG 305	550 (21")	450 (992)

MOD.	∅ mm (in)	kg (lbs)
RX 275	550 (21")	560 (1234)
RX 310	550 (21")	650 (1433)
RX 360	550 (21")	760 (1675)
RX 410	550 (21")	840 (1851)
RW 420	550 (21")	880 (1940)
RW 470	550 (21")	1020 (2249)
RW 520	550 (21")	1070 (2359)
RW 570	550 (21")	1140 (2513)
RW 620	550 (21")	1220 (2690)

SMOOTH ROLLER

FOR SOIL PREPARATION AND SOWING OF VEGETABLES



MOD.	∅ mm (in)	kg (lbs)
RM 135	550 (21")	190 (419)
RM 150	550 (21")	200 (441)
RM 160	550 (21")	210 (462)
RM 170	550 (21")	235 (518)
RM 185	550 (21")	255 (562)
RM 210	550 (21")	280 (617)
RM 235	550 (21")	300 (661)

MOD.	∅ mm (in)	kg (lbs)
SPR 185	550 (21")	240 (529)
SPR 210	550 (21")	270 (595)
SPR 235	550 (21")	310 (683)
SPR 260	550 (21")	350 (772)

MOD.	∅ mm (in)	kg (lbs)
RG 230	550 (21")	310 (683)
RG 255	550 (21")	330 (727)
RG 280	550 (21")	360 (794)
RG 305	550 (21")	390 (860)

ROLLERS SUITABLE FOR SICMA TILLERS



THE SPIRAL, PACKER, CAGE AND SMOOTH ROLLERS ARE 6 CM LARGER THAN THE MACHINE ON BOTH SIDES (6 CM LEFT + 6 CM RIGHT)

SPIKED ROLLER

RECOMMENDED FOR STONY, CLAYEY AND HIGHLY MOIST SOILS.



MOD.	∅ mm (in)	kg (lbs)
------	-----------	----------

CS 145	480 (19")	123 (271)
CS 165	480 (19")	137 (302)
CS 185	480 (19")	151 (333)

RC 145	480 (19")	123 (271)
RC 165	480 (19")	137 (302)
RC 185	480 (19")	151 (333)

RD 135	480 (19")	125 (275)
RD 150	480 (19")	130 (286)
RD 160	480 (19")	140 (308)
RD 185	480 (19")	150 (330)
RD 210	480 (19")	160 (352)

MOD.	∅ mm (in)	kg (lbs)
------	-----------	----------

RM 135	480 (19")	130 (286)
RM 150	480 (19")	140 (308)
RM 160	480 (19")	150 (330)
RM 170	480 (19")	160 (352)
RM 185	480 (19")	170 (375)
RM 210	480 (19")	180 (397)
RM 235	480 (19")	190 (420)

SPR 185	550 (21")	220 (485)
SPR 210	550 (21")	250 (551)
SPR 235	550 (21")	270 (595)
SPR 260	550 (21")	300 (661)

RG 230	550 (21")	270 (595)
RG 255	550 (21")	300 (661)
RG 280	550 (21")	330 (727)
RG 305	550 (21")	360 (794)

CAGE ROLLER

RECOMMENDED FOR WORKING ON DRY SOILS, IN CONDITION OF MEDIUM MOISTNESS AND IN PRESENCE OF SMALL STONES.



MOD.	∅ mm (in)	kg (lbs)
------	-----------	----------

RD 135	430 (17")	130 (286)
RD 150	430 (17")	140 (308)
RD 160	430 (17")	150 (330)
RD 185	430 (17")	160 (352)
RD 210	430 (17")	170 (375)

RM 135	430 (17")	140 (308)
RM 150	430 (17")	150 (330)
RM 160	430 (17")	160 (352)
RM 170	430 (17")	175 (386)
RM 185	430 (17")	185 (408)
RM 210	430 (17")	210 (463)
RM 235	430 (17")	220 (485)

MOD.	∅ mm (in)	kg (lbs)
------	-----------	----------

SPR 185	550 (21")	215 (473)
SPR 210	550 (21")	240 (529)
SPR 235	550 (21")	260 (573)
SPR 260	550 (21")	280 (617)

RG 230	550 (21")	240(529)
RG 255	550 (21")	270 (595)
RG 280	550 (21")	300 (661)
RG 305	550 (21")	330 (727)

MOD.	∅ mm (in)	kg (lbs)
------	-----------	----------

RX 275	550 (21")	300 (661)
RX 310	550 (21")	350 (771)
RX 360	550 (21")	400 (881)
RX 410	550 (21")	450 (992)

RW 420	550 (21")	850 (1874)
RW 470	550 (21")	910 (2006)
RW 520	550 (21")	970 (2138)
RW 570	550 (21")	1020 (2249)
RW 620	550 (21")	1120 (2469)



ACCESSORIES HYDRAULIC CYLINDER FOR ROLLER ADJUSTMENT

It adjusts the roller work depth directly from the tractor

Available on

SPR	RG	RX	RW
-----	----	----	----